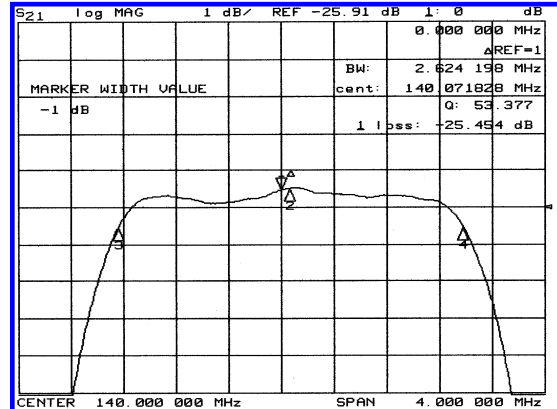
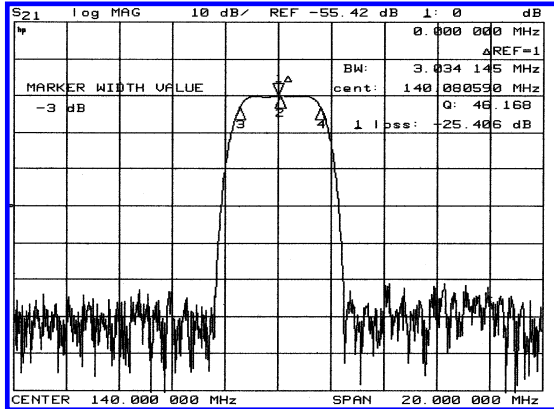


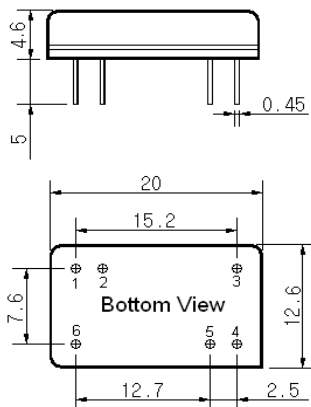
Typical Performance



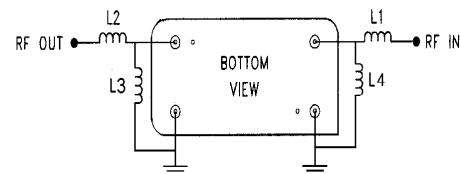
Specification

Parameter	Unit	Min.	Typ.	Max.
Center Frequency	Mhz	139.85	140.00	140.15
Insertion Loss	dB	-	25.50	27.00
1dB Bandwidth	MHz	2.40	2.62	-
3dB Bandwidth	Mhz	3.00	3.04	-
40dB Bandwidth	Mhz	-	4.63	4.80
Passband Ripple	dB	-	0.35	0.70
Group Delay Variation	nsec	-	30	90
Absolute Delay	µsec	-	2.46	-
Ultimate Attenuation	dB	50	55	-
Substrate Material	-	-	Quartz	-

Package Dimension



Matching Configuration



L1=L2=68nH , L3=L4=0.22µH
 Source / Load Impedance = 50Ω
 Ambient Temperature = 25°C

11/30/2002