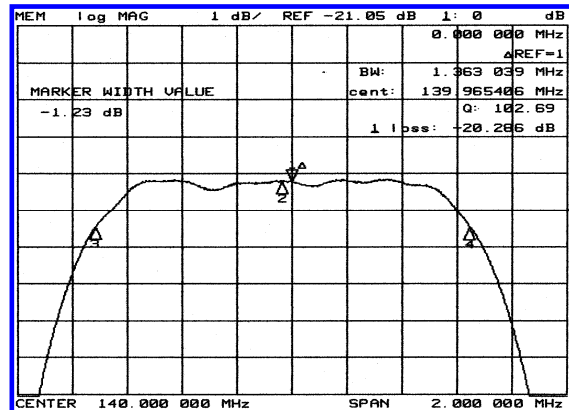
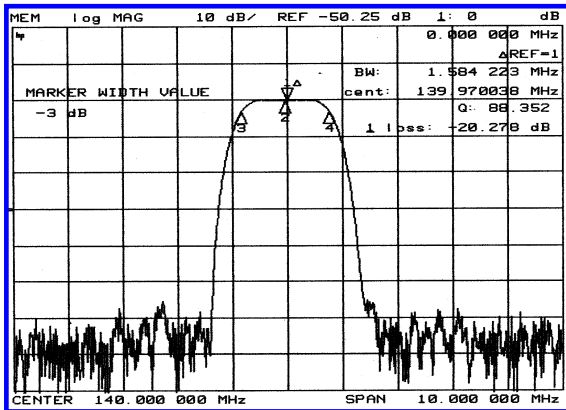


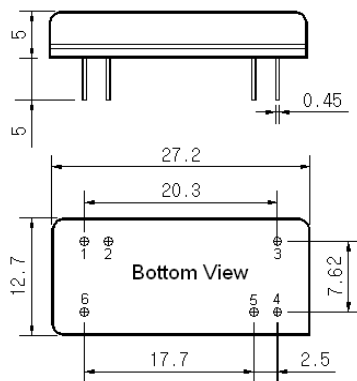
Typical Performance



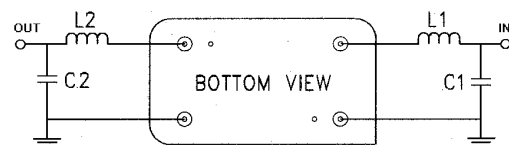
Specification

Parameter	Unit	Min.	Typ.	Max.
Center Frequency	Mhz	139.90	140.00	140.10
Insertion Loss	dB	-	21.00	23.00
1dB Bandwidth	MHz	1.20	1.30	-
3dB Bandwidth	Mhz	1.50	1.58	-
40dB Bandwidth	Mhz	-	2.60	2.70
Passband Ripple	dB	-	0.45	0.80
Group Delay Variation	nsec	-	100	200
Absolute Delay	µsec	-	2.7	-
Ultimate Attenuation	dB	50	55	-
Substrate Material	-	-	Quartz	-

Package Dimension



Matching Configuration



L1 = L2 = 68nH, C1 = C2 = 15pF
 Source / Load Impedance = 50Ω
 Ambient Temperature = 25°C

05/28/2003