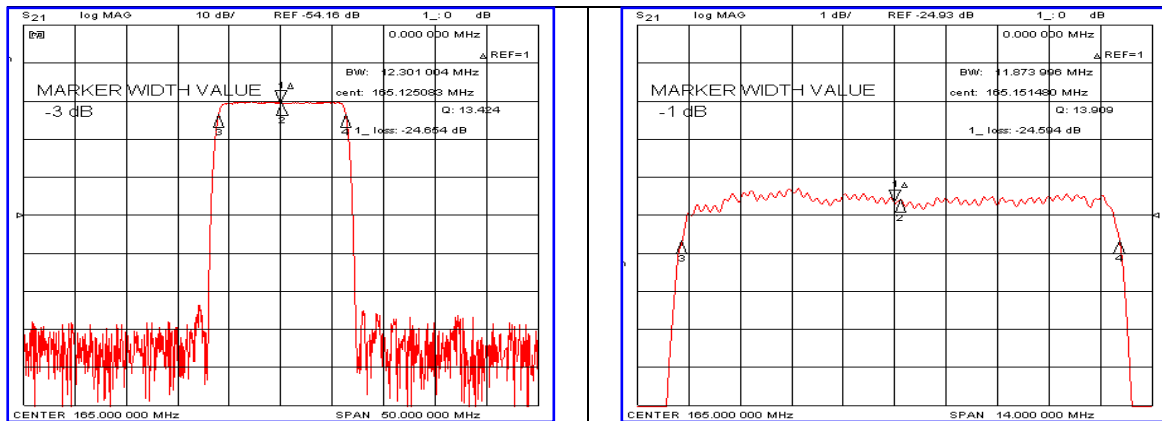


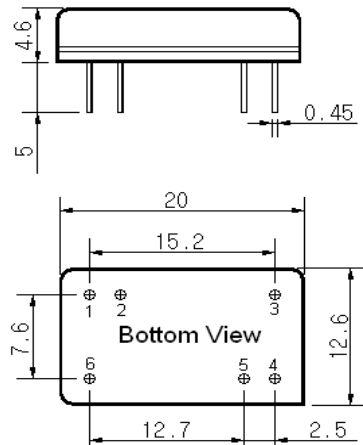
### Typical Performance



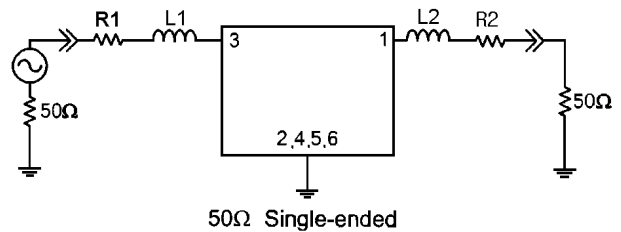
### Specification

Parameter	Unit	Min.	Typ.	Max.
Center Frequency	MHz	164.80	165.00	165.20
Insertion Loss	dB	-	24.80	26.50
1dB Bandwidth	MHz	-	11.87	-
3dB Bandwidth	MHz	12.20	12.30	-
40dB Bandwidth	MHz	-	14.02	14.30
Return loss ( 1dB Bandwidth )	dB	-	7	-
Passband Ripple	dB	-	0.80	1.20
Group Delay Variation	nsec	-	100	200
Absolute Delay	μsec	-	1.98	-
Ultimate Attenuation	dB	48	53	-
Substrate Material	-	YZ- LiNbO <sub>3</sub>		
Temperature Coefficient	ppm/°C	-94		

### Package Dimension



### Matching Configuration



L1=12nH, L2=15nH, R1=12Ω, R2=10Ω  
 Source / Load Impedance = 50Ω  
 Ambient Temperature = 25°C

Rev0. 100908

