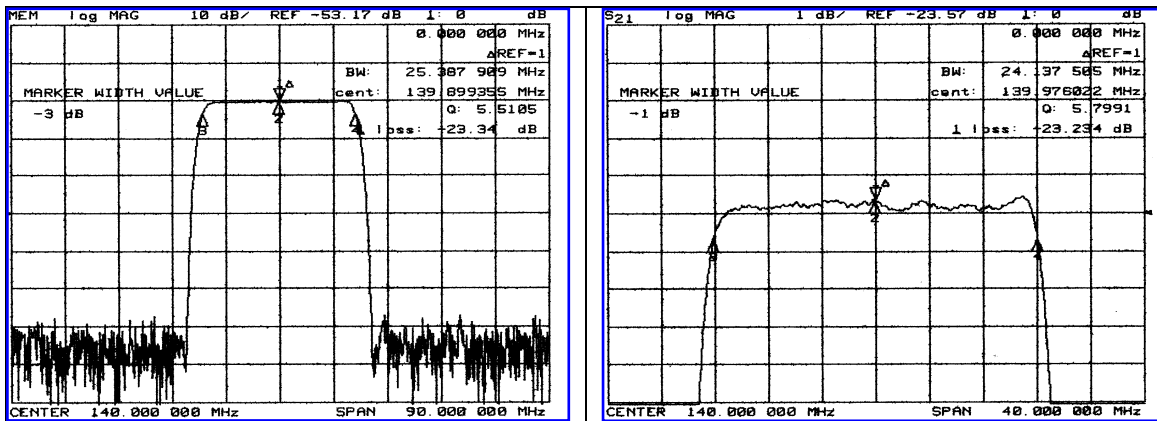


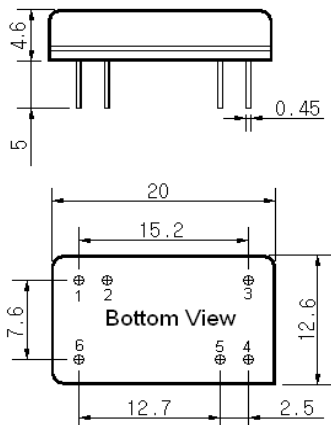
Typical Performance



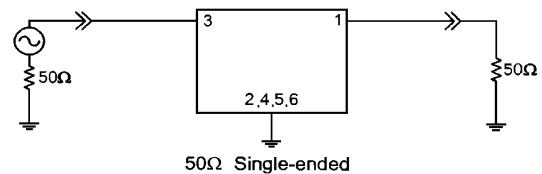
Specification

| Parameter | Unit | Min. | Typ. | Max. |
|-------------------------|--------|------------------------|--------|--------|
| Center Frequency | MHz | 139.80 | 140.00 | 140.20 |
| Insertion Loss | dB | - | 23.50 | 25.00 |
| 1dB Bandwidth | MHz | 24.00 | 24.10 | - |
| 3dB Bandwidth | MHz | 25.20 | 25.38 | - |
| 40dB Bandwidth | MHz | - | 30.00 | 30.30 |
| Passband Ripple | dB | - | 0.45 | 0.80 |
| Group Delay Variation | nsec | - | 50 | 100 |
| Absolute Delay | µsec | - | 0.9 | - |
| Ultimate Attenuation | dB | 50 | 60 | - |
| Substrate Material | - | 128-LiNbO ₃ | | |
| Temperature Coefficient | ppm/°C | -72 | | |

Package Dimension



Matching Configuration



No Matching required
 Source / Load Impedance = 50Ω
 Ambient Temperature = 25°C

04/18/2005