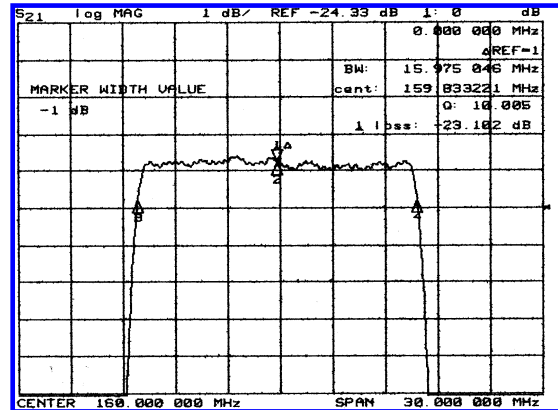
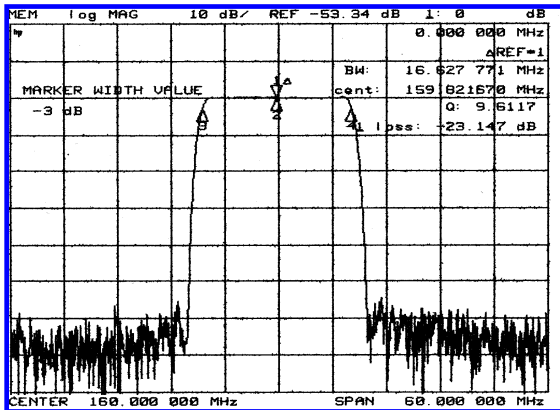


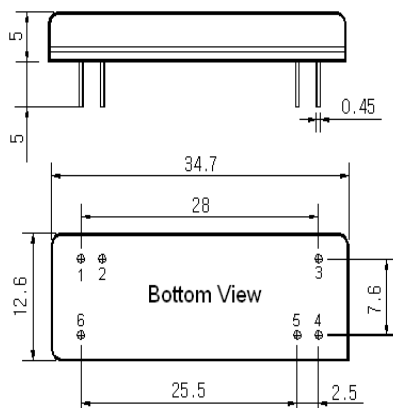
### Typical Performance



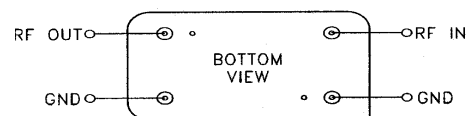
### Specification

Parameter	Unit	Min.	Typ.	Max.
Center Frequency	Mhz	159.80	160.00	160.20
Insertion Loss	dB	-	23.50	25.00
1dB Bandwidth	MHz	15.80	15.98	-
3dB Bandwidth	Mhz	16.50	16.63	-
40dB Bandwidth	Mhz	-	19.42	19.70
Passband Ripple	dB	-	0.45	0.80
Group Delay Variation	nsec	-	80	100
Absolute Delay	µsec	-	1.43	-
Ultimate Attenuation	dB	55	60	-
Substrate Material	-	YZ- LiNbO <sub>3</sub>		

### Package Dimension



### Matching Configuration



No Matching Required  
Source / Load Impedance = 50Ω  
Ambient Temperature = 25°C

04/16/2003