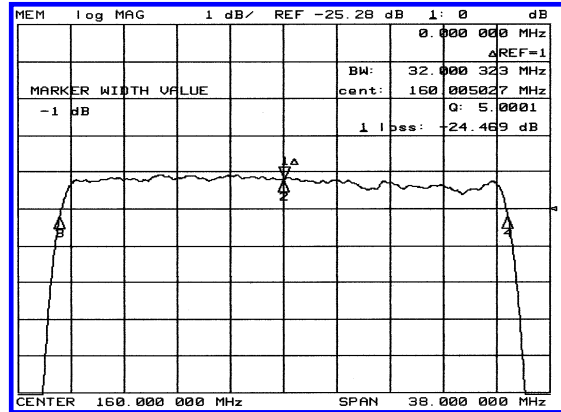
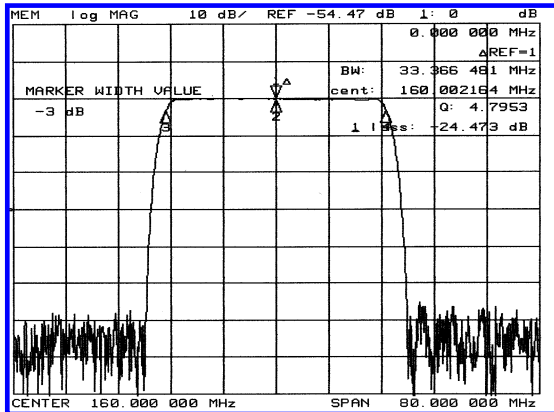


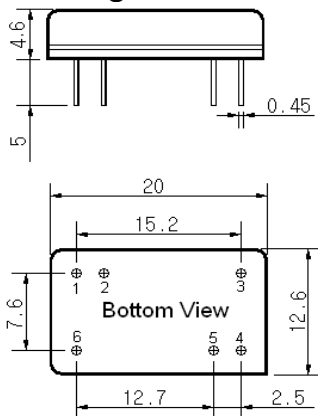
Typical Performance



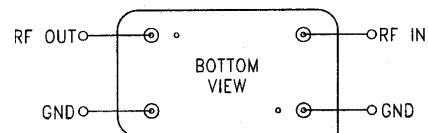
Specification

Parameter	Unit	Min.	Typ.	Max.
Center Frequency	Mhz	159.75	160.00	160.25
Insertion Loss	dB	-	24.50	26.00
1dB Bandwidth	MHz	31.50	32.00	-
3dB Bandwidth	Mhz	32.00	33.36	-
40dB Bandwidth	Mhz	-	38.81	39.20
Passband Ripple	dB	-	0.55	0.80
Group Delay Variation	nsec	-	40	60
Absolute Delay	µsec	-	0.83	-
Ultimate Attenuation	dB	50	60	-
Substrate Material	-	128- LiNbO ₃		

Package Dimension



Matching Configuration



No Matching Required
Source / Load Impedance = 50Ω
Ambient Temperature = 25°C

08/05/2002