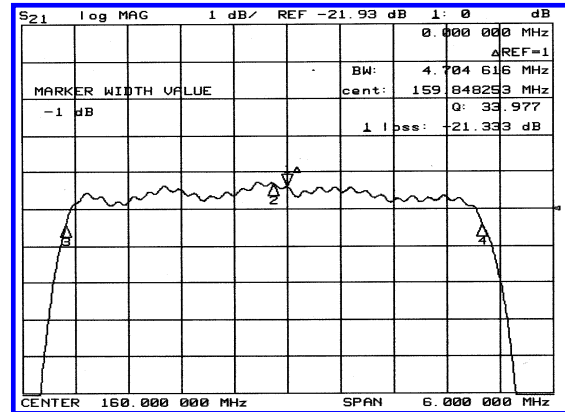
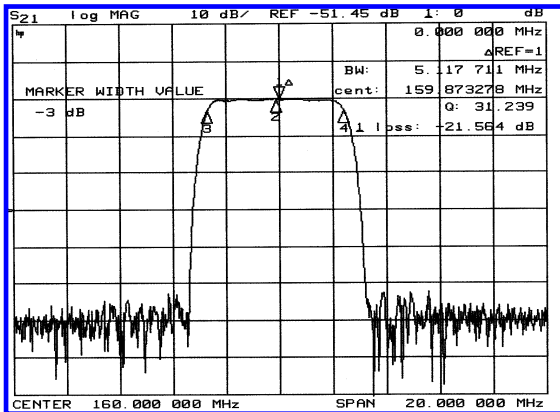


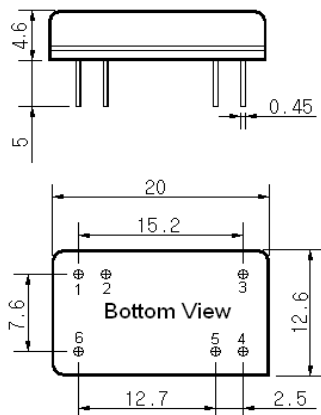
### Typical Performance



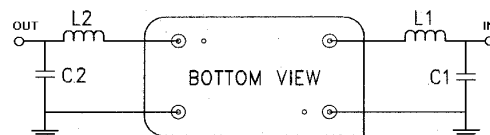
### Specification

Parameter	Unit	Min.	Typ.	Max.
Center Frequency	Mhz	159.80	160.00	160.20
Insertion Loss	dB	-	22.00	23.50
1dB Bandwidth	MHz	4.60	4.75	-
3dB Bandwidth	Mhz	5.00	5.08	-
40dB Bandwidth	Mhz	-	6.45	6.60
Passband Ripple	dB	-	0.75	1.00
Group Delay Variation	nsec	-	150	200
Absolute Delay	µsec	-	2.83	-
Ultimate Attenuation	dB	50	60	-
Substrate Material	-	LiTaO <sub>3</sub>		

### Package Dimension



### Matching Configuration



L1=L2=18nH , C1=C2=43pF  
Source / Load Impedance = 50Ω  
Ambient Temperature = 25°C

11/23/2004