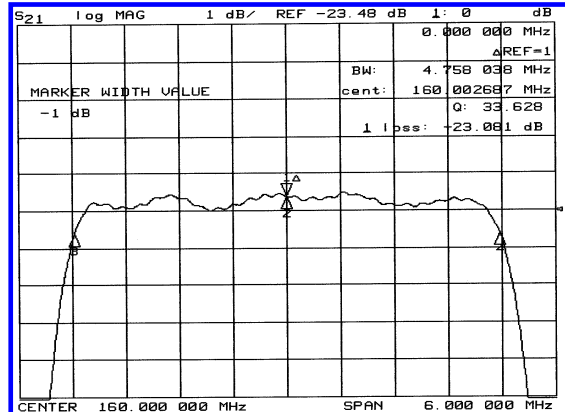
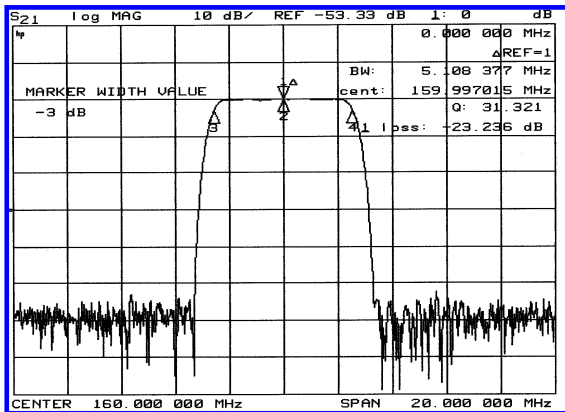


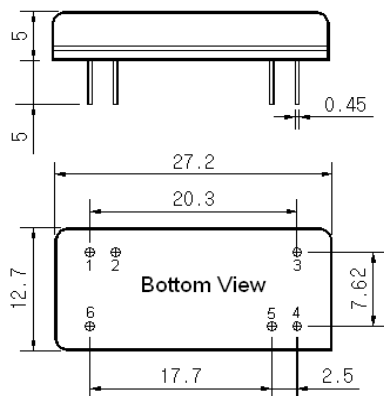
Typical Performance



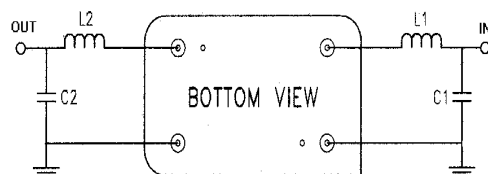
Specification

Parameter	Unit	Min.	Typ.	Max.
Center Frequency	Mhz	159.80	160.00	160.20
Insertion Loss	dB	-	23.5	25.0
1dB Bandwidth	Mhz	4.60	4.75	-
3dB Bandwidth	Mhz	5.00	5.08	-
40dB Bandwidth	Mhz	-	6.45	6.60
Passband Ripple	dB	-	0.45	1.00
Group Delay Variation	nsec	-	150	200
Absolute Delay	µsec	-	2.8	-
Ultimate Attenuation	dB	50	55	-
Substrate Material	-	LiTaO ₃		
Temperature Coefficient	ppm/°C	-20		

Package Dimension



Matching Configuration



L1=15nH, L2=18nH, C1=24pF, C2=20pF
 Source / Load Impedance = 50Ω
 Ambient Temperature = 25°C

12/30/2003