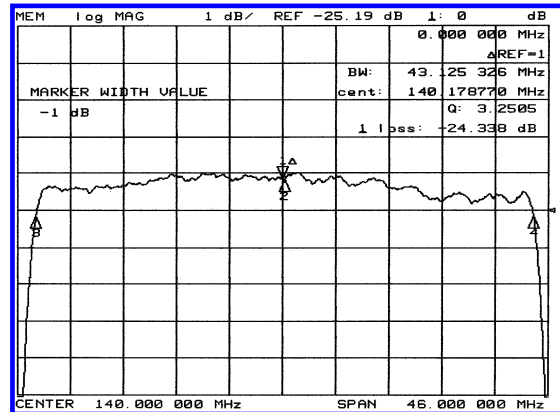
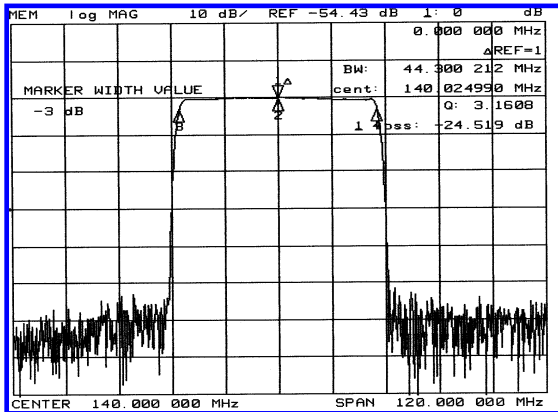


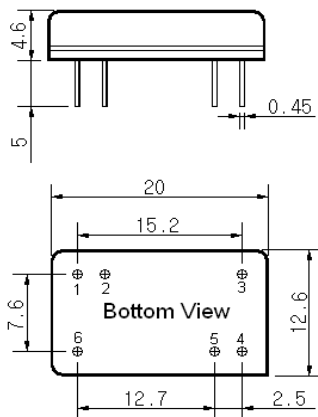
Typical Performance



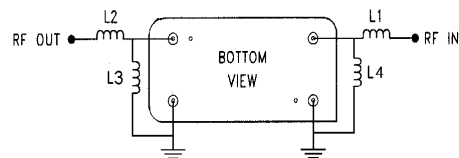
Specification

Parameter	Unit	Min.	Typ.	Max.
Center Frequency	Mhz	139.80	140.00	140.20
Insertion Loss	dB	-	24.50	26.00
1dB Bandwidth	MHz	42.80	43.13	-
3dB Bandwidth	Mhz	44.00	44.30	-
40dB Bandwidth	Mhz	-	48.58	49.00
Passband Ripple	dB	-	0.75	1.00
Group Delay Variation	nsec	-	15	30
Absolute Delay	μsec	-	1.08	-
Ultimate Attenuation	dB	50	55	-
Substrate Material	-	128- LiNbO ₃		

Package Dimension



Matching Configuration



L1=22nH, L2=12nH, L3=82nH, L4=68nH
 Source / Load Impedance = 50Ω
 Ambient Temperature = 25°C

08/05/2002