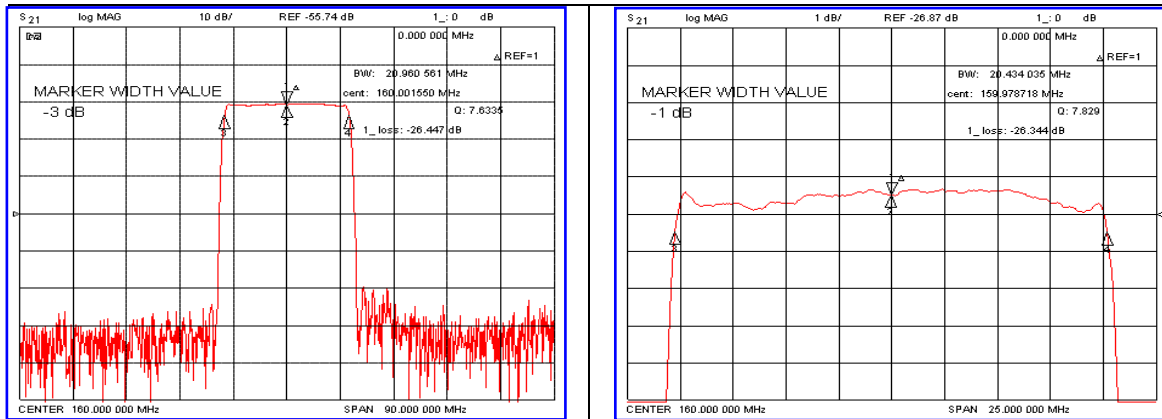


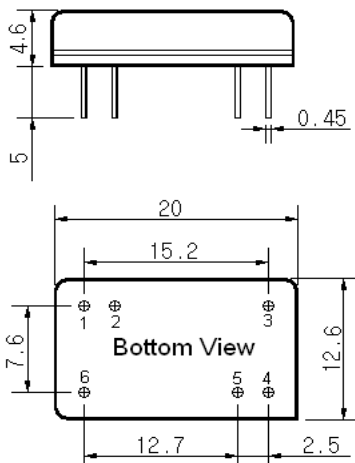
Typical Performance



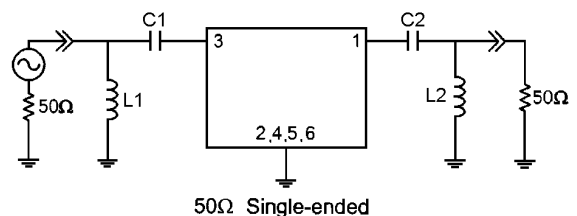
Specification

Parameter	Unit	Min.	Typ.	Max.
Center Frequency	Mhz	159.80	160.00	160.20
Insertion Loss	dB	-	26.50	28.00
1dB Bandwidth	Mhz	-	20.43	-
3dB Bandwidth	Mhz	20.60	20.96	-
40dB Bandwidth	Mhz	-	23.20	23.50
Passband Ripple	dB	-	0.65	1.00
Group Delay Variation	nsec	-	50	100
Absolute Delay	μsec	-	1.68	-
Ultimate Attenuation	dB	50	55	-
Substrate Material	-	YZ-LiNbO ₃		
Temperature Coefficient	ppm/°C	-94		

Package Dimension



Matching Configuration



L1=47nH, L2=56nH, C1=C2=39pF
 Source / Load Impedance = 50Ω
 Ambient Temperature = 25°C

11/23/2006

