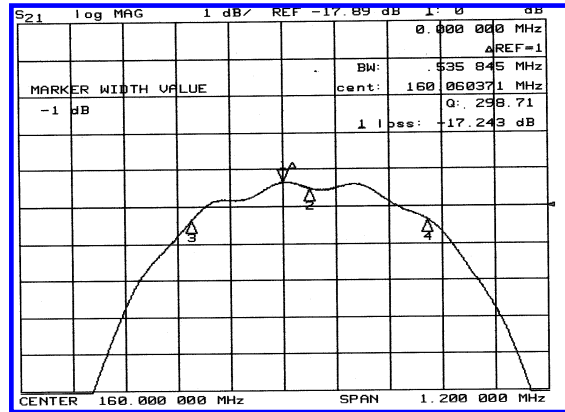
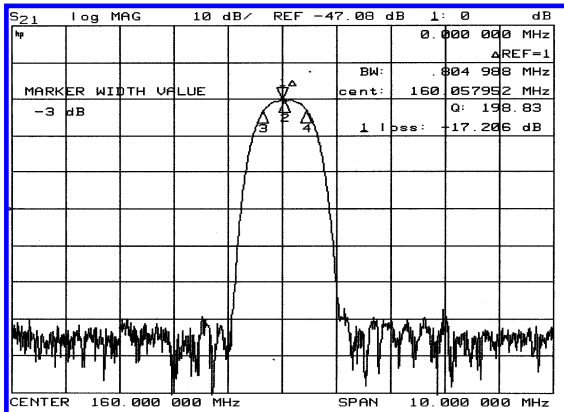


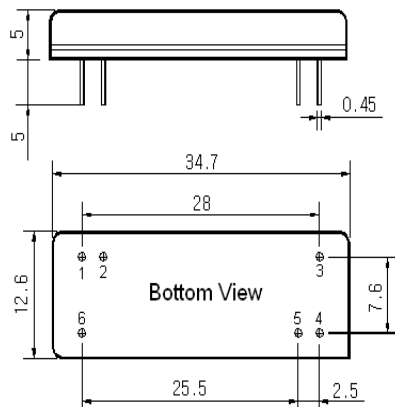
### Typical Performance



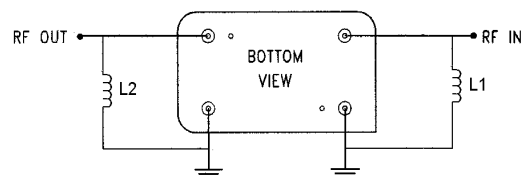
### Specification

Parameter	Unit	Min.	Typ.	Max.
Center Frequency	Mhz	159.85	160.00	160.15
Insertion Loss	dB	-	17.50	19.00
1dB Bandwidth	Mhz	0.50	0.53	-
3dB Bandwidth	Mhz	0.75	0.80	-
40dB Bandwidth	Mhz	-	1.76	2.00
Passband Ripple	dB	-	0.55	1.00
Group Delay Variation	nsec	-	200	300
Absolute Delay	µsec	-	3.05	-
Ultimate Attenuation	dB	50	60	-
Substrate Material	-	Quartz		

### Package Dimension



### Matching Configuration



L1 = 82nH , L2 = 68nH  
 Source / Load Impedance = 50Ω  
 Ambient Temperature = 25°C

03/24/2003