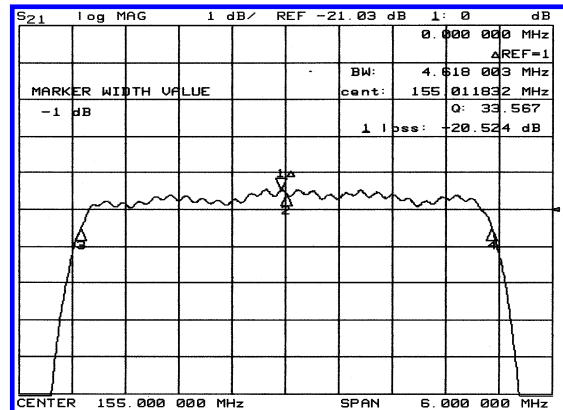
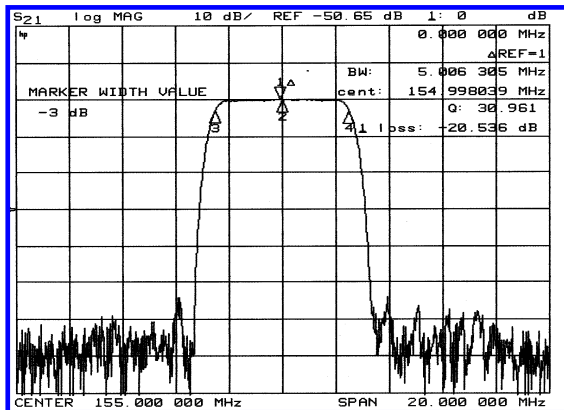


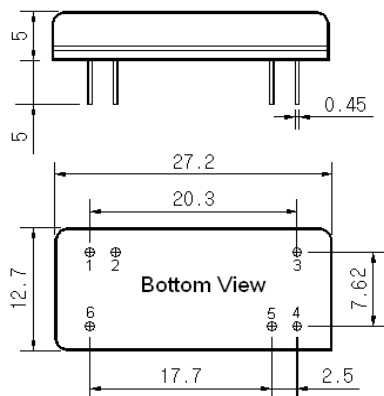
Typical Performance



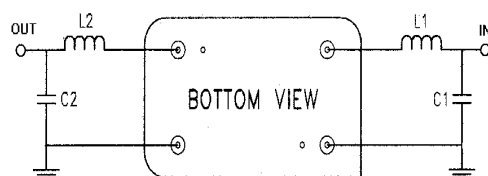
Specification

Parameter	Unit	Min.	Typ.	Max.
Center Frequency	Mhz	154.80	155.00	155.20
Insertion Loss	dB	-	20.5	22.0
1dB Bandwidth	Mhz	4.50	4.61	-
3dB Bandwidth	Mhz	4.90	5.00	-
40dB Bandwidth	Mhz	-	6.40	6.70
Passband Ripple	dB	-	0.55	1.00
Group Delay Variation	nsec	-	200	300
Absolute Delay	µsec	-	2.8	-
Ultimate Attenuation	dB	50	55	-
Substrate Material	-	LiTaO ₃		
Temperature Coefficient	ppm/°C	-20		

Package Dimension



Matching Configuration



Matching values are to be defined
 Source / Load Impedance = 50Ω
 Ambient Temperature = 25°C

12/30/2003