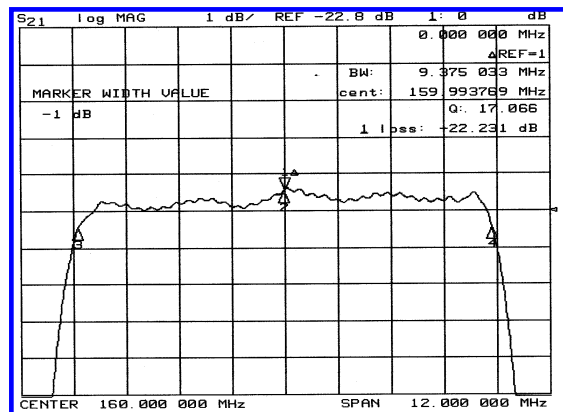
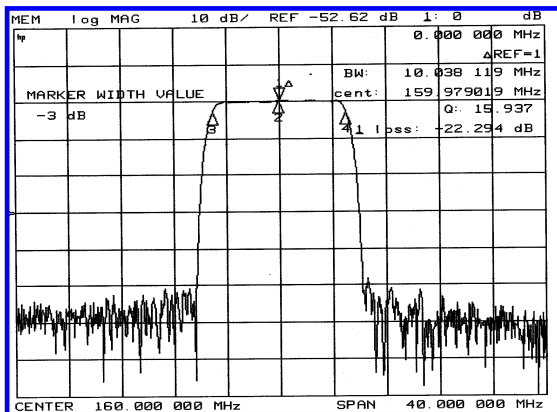


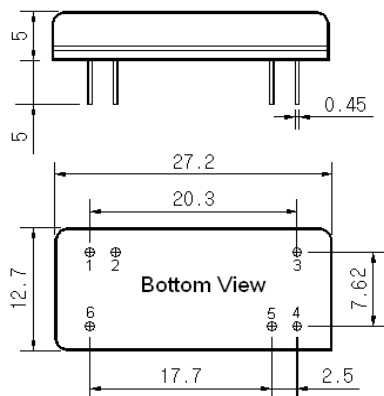
Typical Performance



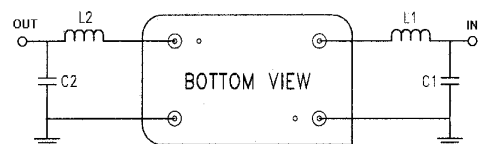
Specification

Parameter	Unit	Min.	Typ.	Max.
Center Frequency	Mhz	159.80	160.00	160.20
Insertion Loss	dB	-	22.5	23.5
1dB Bandwidth	Mhz	9.20	9.37	-
3dB Bandwidth	Mhz	9.90	10.03	-
40dB Bandwidth	Mhz	-	12.27	12.50
Passband Ripple	dB	-	0.65	1.00
Group Delay Variation	nsec	-	50	100
Absolute Delay	µsec	-	1.8	-
Ultimate Attenuation	dB	45	50	-
Substrate Material	-	LiTaO ₃		
Temperature Coefficient	ppm/°C	-20		

Package Dimension



Matching Configuration



L1 = L2 = C1 = C2 = TBD
 Source / Load Impedance = 50Ω
 Ambient Temperature = 25°C

10/28/2003