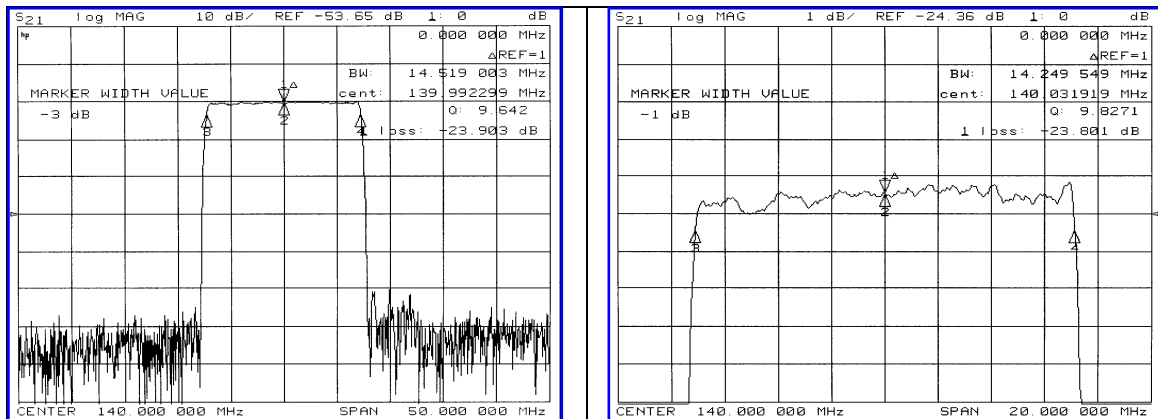


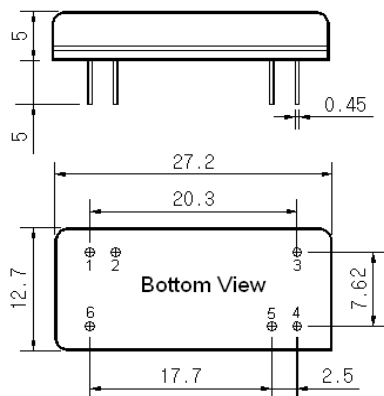
Typical Performance



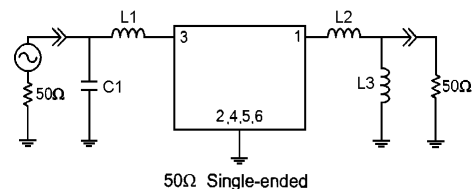
Specification

Parameter	Unit	Min.	Typ.	Max.
Center Frequency	MHz	139.85	140.00	140.15
Insertion Loss	dB	-	24.00	25.50
1dB Bandwidth	MHz	-	14.24	-
3dB Bandwidth	MHz	14.40	14.51	-
40dB Bandwidth	MHz	-	15.60	15.80
Passband Ripple	dB	-	0.85	1.00
Group Delay Variation	nsec	-	80	150
Absolute Delay	µsec	-	2.73	-
Ultimate Attenuation	dB	50	53	-
Substrate Material	-	128-LiNbO ₃		
Temperature Coefficient	ppm/°C ²	-72		

Package Dimension



Matching Configuration



L1=L2=180nH, L3=82nH, C1=43pF
 Source / Load Impedance = 50Ω
 Ambient Temperature = 25°C

04/24/2006

