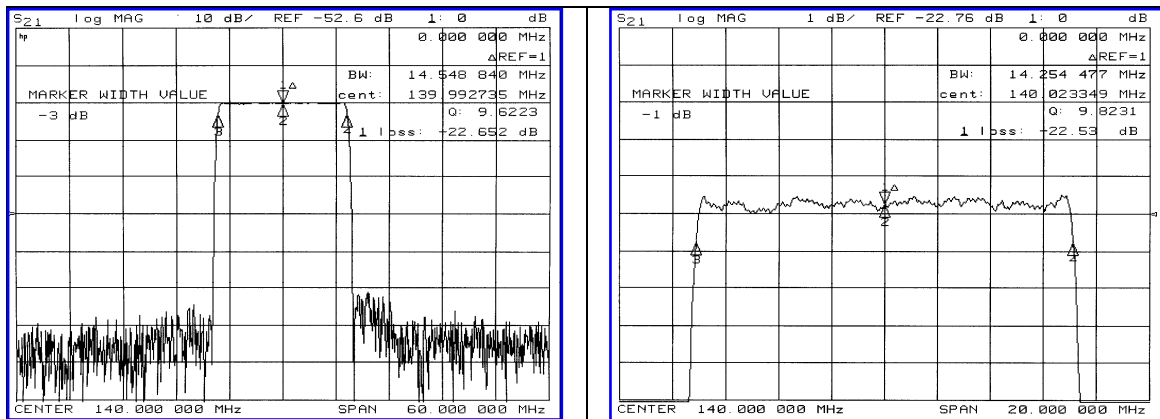


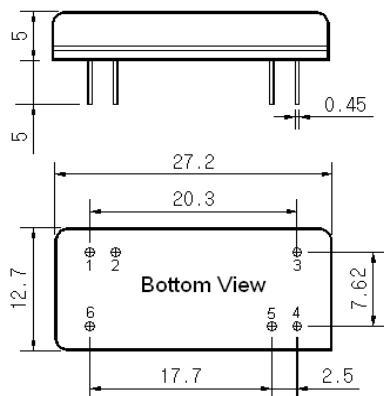
Typical Performance



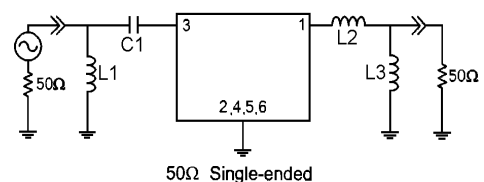
Specification

Parameter	Unit	Min.	Typ.	Max.
Center Frequency	MHz	139.90	140.00	140.10
Insertion Loss	dB	-	23.00	24.50
1dB Bandwidth	MHz	-	14.25	-
3dB Bandwidth	MHz	14.40	14.55	-
40dB Bandwidth	MHz	-	15.65	15.80
Passband Ripple	dB	-	0.55	1.00
Group Delay Variation	nsec	-	80	150
Absolute Delay	µsec	-	2.71	-
Ultimate Attenuation	dB	50	53	-
Substrate Material	-	128-LiNbO ₃		
Temperature Coefficient	ppm/°C ²	-72		

Package Dimension



Matching Configuration



L1=47nH, L2=12nH, L3=180nH, C1=160pF
 Source / Load Impedance = 50Ω
 Ambient Temperature = 25°C

04/24/2006

