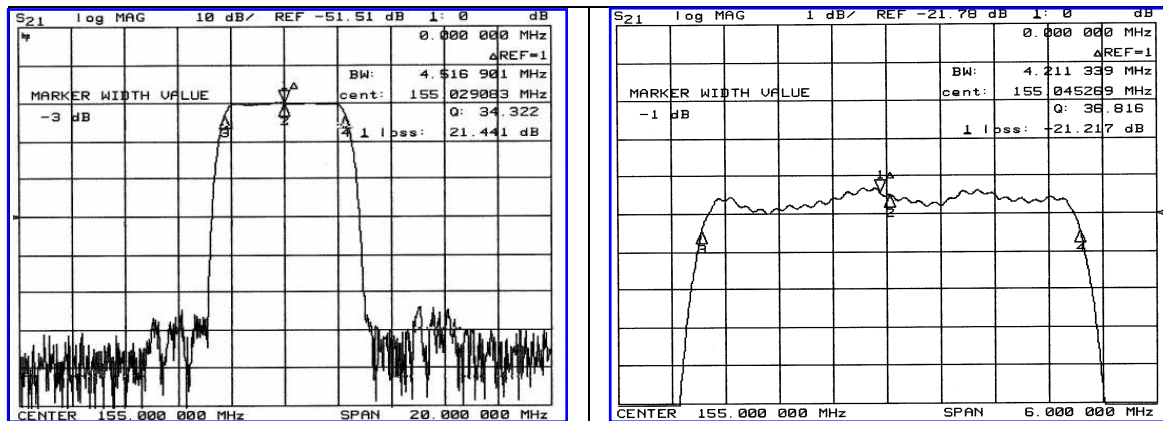


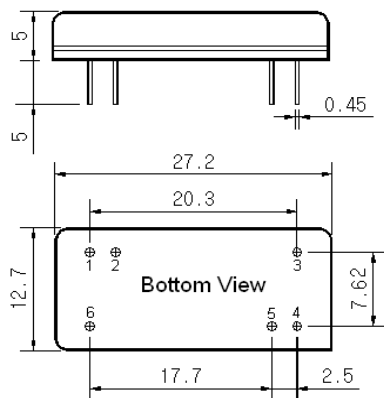
### Typical Performance



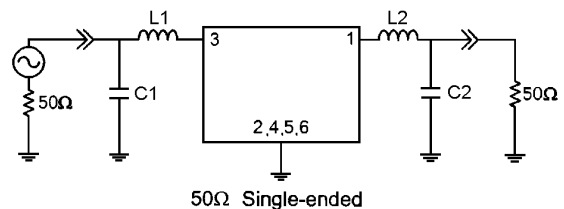
### Specification

Parameter	Unit	Min.	Typ.	Max.
Center Frequency	MHz	154.85	155.00	155.15
Insertion Loss	dB	-	22.00	24.00
1dB Bandwidth	MHz	4.10	4.21	-
3dB Bandwidth	MHz	4.40	4.51	-
40dB Bandwidth	MHz	-	5.68	5.85
Passband Ripple	dB	-	0.65	1.00
Group Delay Variation	nsec	-	100	200
Absolute Delay	µsec	-	3.10	-
Ultimate Attenuation	dB	50	55	-
Substrate Material	-	112-LiTaO <sub>3</sub>		
Temperature Coefficient	ppm/°C <sup>2</sup>	-20		

### Package Dimension



### Matching Configuration



L1=22nH, L2=15nH, C1=24pF, C2=30pF  
 Source / Load Impedance = 50Ω  
 Ambient Temperature = 25°C