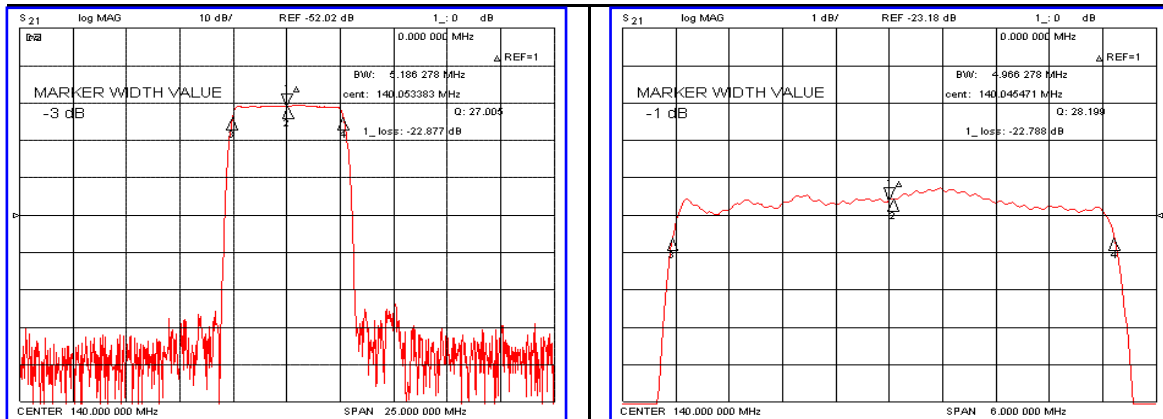


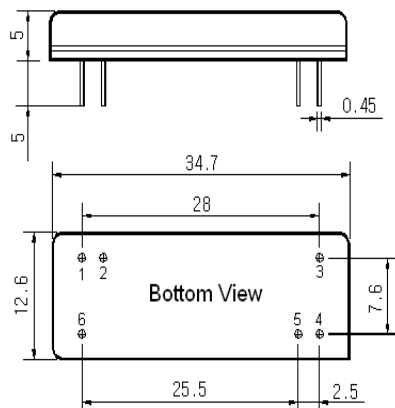
Typical Performance



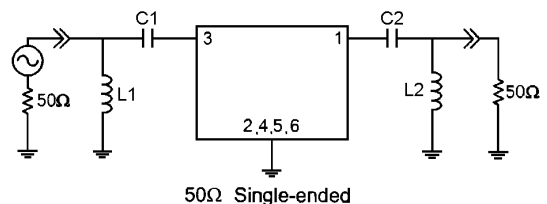
Specification

Parameter	Unit	Min.	Typ.	Max.
Center Frequency (Fc)	MHz	139.85	140.00	140.15
Insertion Loss	dB	-	23.00	25.00
1dB Bandwidth	MHz	-	4.96	-
3dB Bandwidth	MHz	5.00	5.18	-
40dB Bandwidth	MHz	-	6.11	6.30
Passband Ripple	dB	-	0.70	1.00
Group Delay Variation	nsec	-	130	200
Absolute Delay	μsec	-	3.68	-
Ultimate Attenuation	dB	50	55	-
Substrate Material	-	LiTaO ₃		
Temperature Coefficient	ppm/°C	-20		

Package Dimension



Matching Configuration



L1=33nH, L2=33nH, C1=C2=62pF
 Source / Load Impedance = 50Ω
 Ambient Temperature = 25°C

Rev0. 070110

