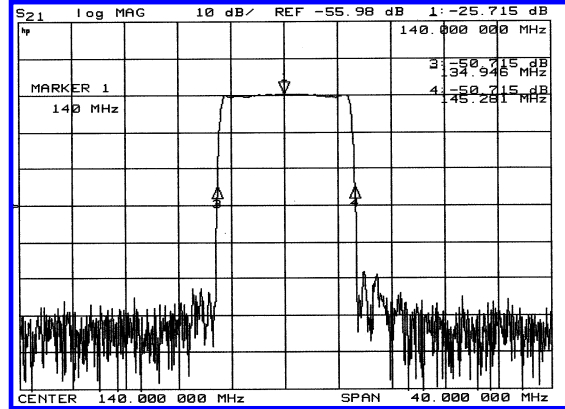
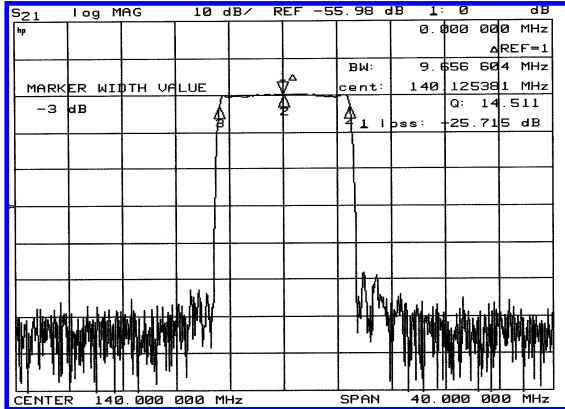


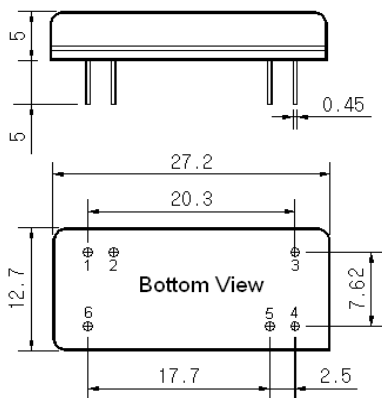
Typical Performance



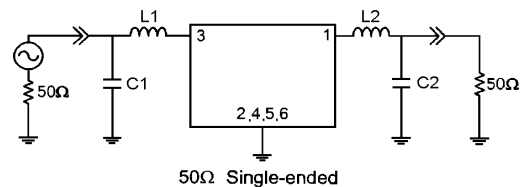
Specification

Parameter	Unit	Min.	Typ.	Max.
Center Frequency	Mhz	-	140.00	-
Insertion Loss	dB	-	26.00	28.00
1dB Bandwidth	Mhz	9.37	9.43	-
Rejection				
5.2 ≤ f_offset < 6.0 Mhz	dB	25.0		
6.0 ≤ f_offset < 10.0 Mhz		30.0		
10.0 ≤ f_offset < 15.0 Mhz		35.0		
15.0 ≤ f_offset		40.0		
Passband Ripple	dB	-	0.90	1.50
Absolute Delay	μsec	-	3.7	-
Input & Output Return Loss	dB	8.0		-
Substrate Material	-		LiTaO ₃	

Package Dimension



Matching Configuration



L1=L2=33nH, C1=39pF, C2=36pF
 Source / Load Impedance = 50Ω
 Ambient Temperature = 25°C

11/23/2004

Typical Performance

