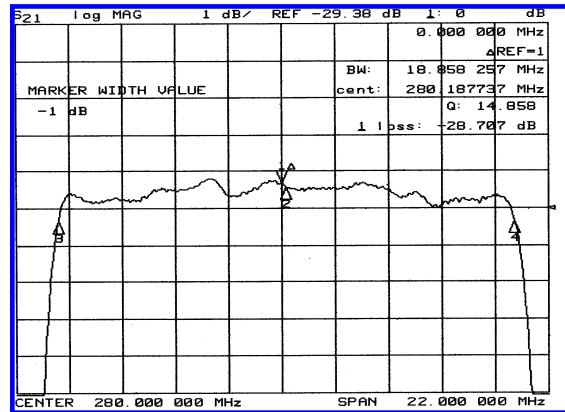
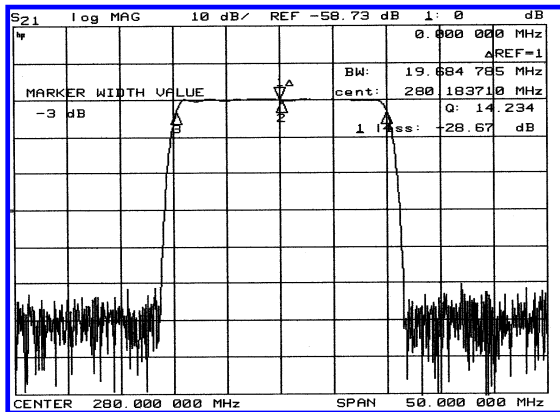


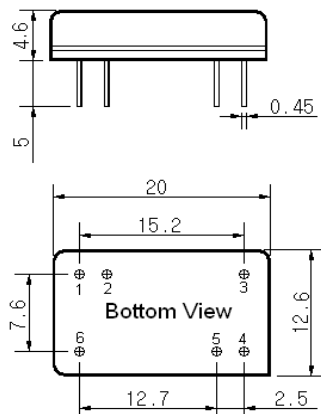
Typical Performance



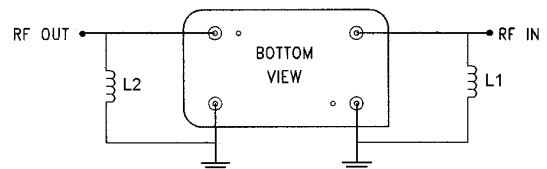
Specification

Parameter	Unit	Min.	Typ.	Max.
Center Frequency	Mhz	279.90	280.00	280.30
Insertion Loss	dB	-	28.5	30.0
1dB Bandwidth	Mhz	18.70	18.85	-
3dB Bandwidth	Mhz	19.50	19.68	-
40dB Bandwidth	Mhz	-	22.43	22.80
Passband Ripple	dB	-	0.75	1.00
Group Delay Variation	nsec	-	50	100
Absolute Delay	μsec	-	3.6	-
Ultimate Attenuation	dB	50	55	
Substrate Material	-	LiTaO ₃		
Temperature Coefficient	ppm/°C	-24		

Package Dimension



Matching Configuration



L1 = 18nH , L2 = 10nH
 Source / Load Impedance = 50Ω
 Ambient Temperature = 25°C

11/06/2003