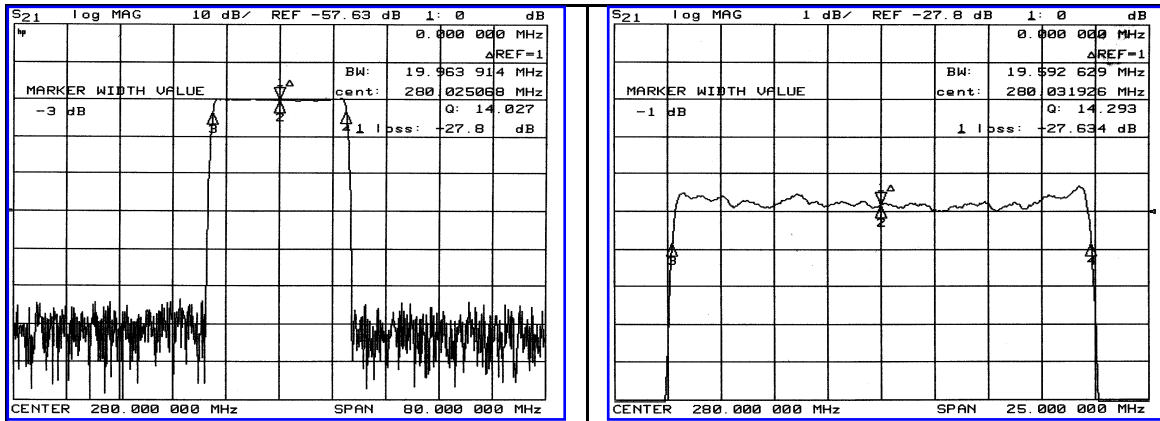


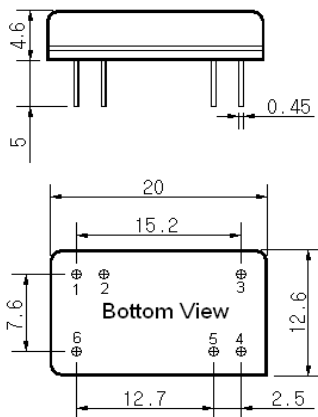
### Typical Performance



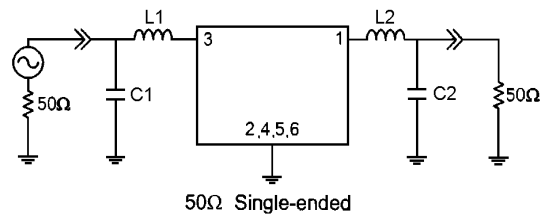
### Specification

Parameter	Unit	Min.	Typ.	Max.
Center Frequency	MHz	279.80	280.00	280.20
Insertion Loss	dB	-	28.00	30.00
1dB Bandwidth	MHz	-	19.59	-
3dB Bandwidth	MHz	19.80	19.96	-
40dB Bandwidth	MHz	-	21.65	21.80
Passband Ripple	dB	-	0.70	1.00
Group Delay Variation	nsec	-	50	100
Absolute Delay	µsec	-	2.17	-
Ultimate Attenuation	dB	48	53	-
Substrate Material	-	LiTaO <sub>3</sub>		
Temperature Coefficient	ppm/°C	-23		

### Package Dimension



### Matching Configuration



L1=10nH , L2=12nH, C1=27pF, C2=24pF  
 Source / Load Impedance = 50Ω  
 Ambient Temperature = 25°C

11/12/2005

