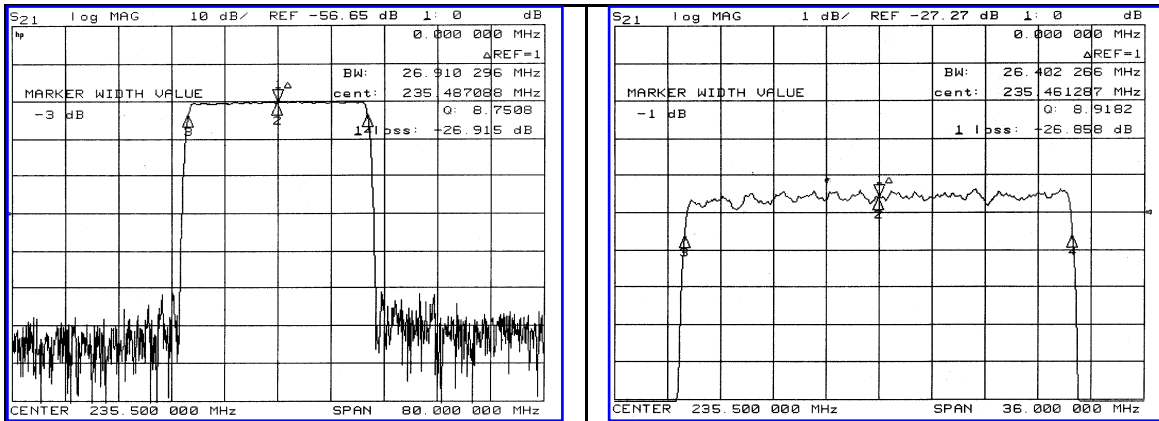


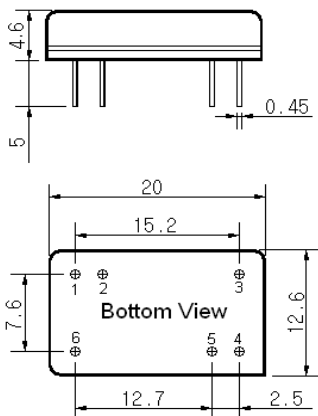
Typical Performance



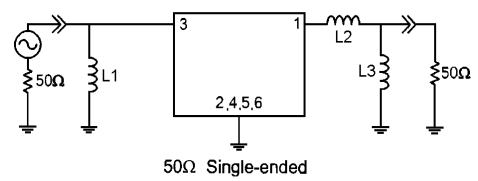
Specification

Parameter	Unit	Min.	Typ.	Max.
Center Frequency	MHz	-	235.50	-
Insertion Loss	dB	-	27.00	28.50
1dB Bandwidth	MHz	-	26.40	-
3dB Bandwidth	MHz	26.50	26.91	-
40dB Bandwidth	MHz	-	29.14	29.50
Passband Ripple ($F_o \pm 12.48\text{MHz}$)	dB	-	0.55	1.00
Group Delay Variation ($F_o \pm 12.48\text{MHz}$)	nsec	-	50	100
Absolute Delay	μsec	-	1.85	-
Ultimate Attenuation	dB	48	52	-
Substrate Material	-	LiTaO ₃		
Temperature Coefficient	ppm/ $^{\circ}\text{C}$	-20		

Package Dimension



Matching Configuration



L1=10nH, L2=1.8nH, L3=10nH
 Source / Load Impedance = 50Ω
 Ambient Temperature = 25°C

01/23/2006

