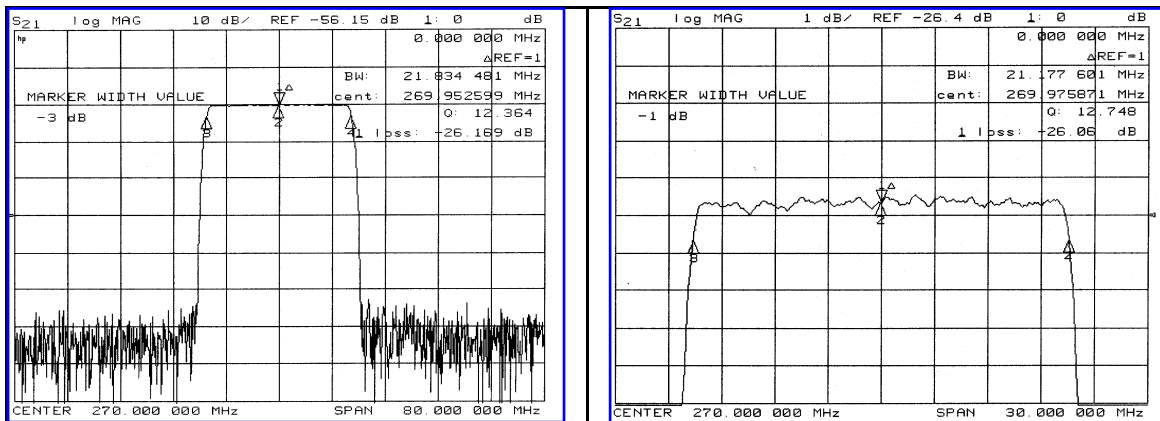


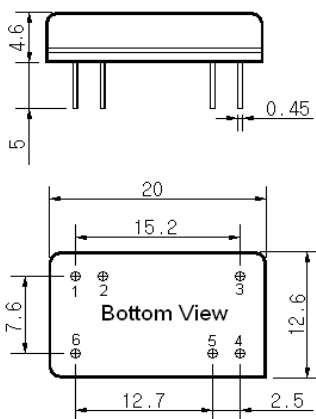
Typical Performance



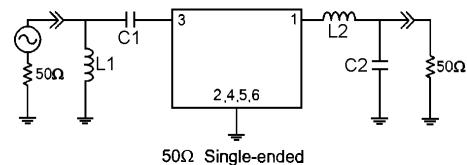
Specification

Parameter	Unit	Min.	Typ.	Max.
Center Frequency	MHz	-	270.00	-
Insertion Loss	dB	-	26.00	27.50
1dB Bandwidth	MHz	-	21.17	-
3dB Bandwidth	MHz	21.50	21.83	-
40dB Bandwidth	MHz	-	24.31	24.50
Passband Ripple ($F_c \pm 9.22$ MHz)	dB	-	0.55	1.00
Group Delay Variation ($F_c \pm 9.22$ MHz)	nsec	-	50	100
Absolute Delay	μ sec	-	1.89	-
Ultimate Attenuation	dB	48	53	-
Substrate Material	-	LiTaO ₃		
Temperature Coefficient	ppm/°C	-20		

Package Dimension



Matching Configuration



L1=10nH, L2=15nH, C1=62pF, C2=30pF
 Source / Load Impedance = 50 Ω
 Ambient Temperature = 25°C

06/15/2006

