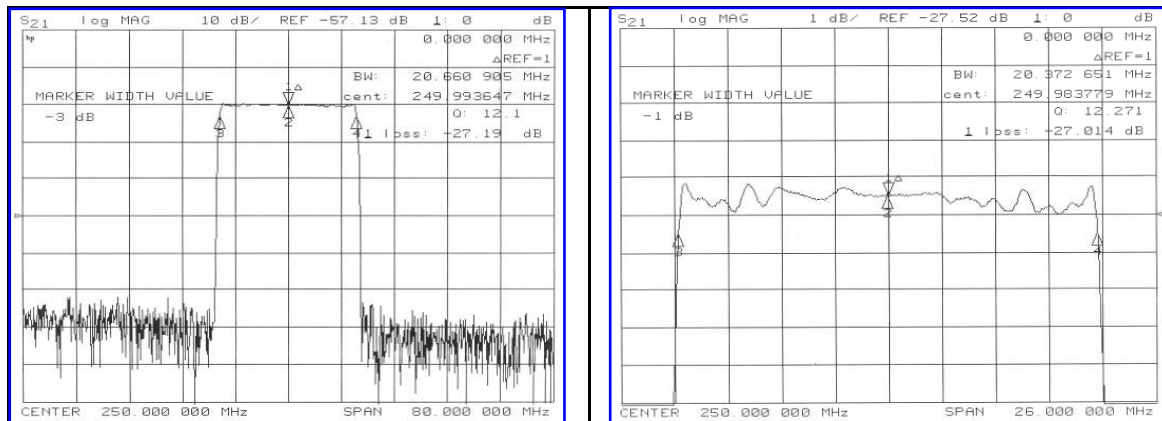


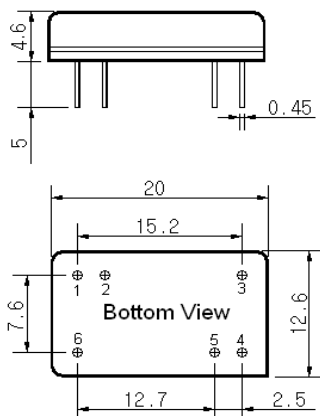
Typical Performance



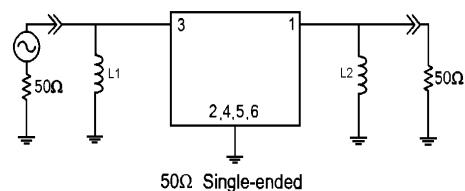
Specification

Parameter	Unit	Min.	Typ.	Max.
Center Frequency (Fc)	MHz	-	250.00	-
Insertion Loss	dB	-	27.00	28.50
1dB Bandwidth	MHz	-	20.37	-
3dB Bandwidth	MHz	20.50	20.66	-
40dB Bandwidth	MHz	-	21.94	22.00
Passband Ripple (Fc±9.75MHz)	dB	-	0.80	1.00
Group Delay Variation (Fc±9.75MHz)	nsec	-	48	100
Absolute Delay	µsec	-	2.66	-
Ultimate Attenuation	dB	50	55	-
Substrate Material	-	LiTaO ₃		
Temperature Coefficient	ppm/°C	-20		

Package Dimension



Matching Configuration



L1=8.2nH, L2=8.2nH,
 Source / Load Impedance = 50Ω
 Ambient Temperature = 25°C

07/11/2006

