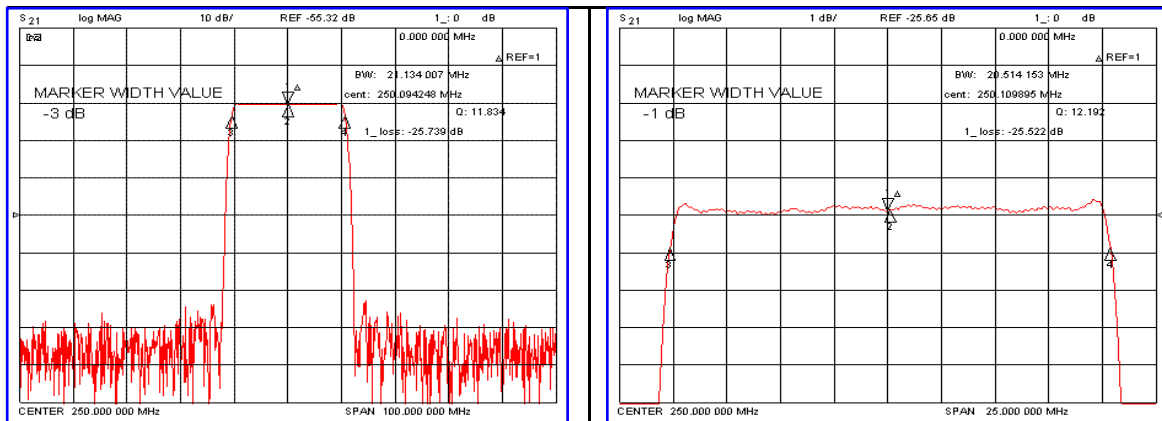


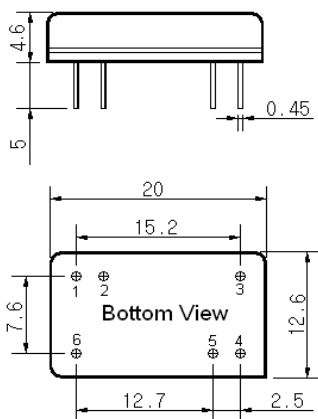
Typical Performance



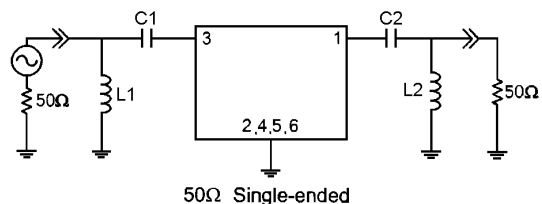
Specification

Parameter	Unit	Min.	Typ.	Max.
Center Frequency (Fc)	MHz	-	250.00	-
Insertion Loss	dB	-	26.00	28.00
1dB Bandwidth	MHz	-	20.51	-
3dB Bandwidth	MHz	20.50	21.13	-
40dB Bandwidth	MHz	-	24.05	24.30
Passband Ripple (Fc±9.75MHz)	dB	-	0.55	1.00
Group Delay Variation (Fc±9.75MHz)	nsec	-	50	100
Absolute Delay	µsec	-	1.74	-
Ultimate Attenuation	dB	50	55	-
Substrate Material	-	LiTaO ₃		
Temperature Coefficient	ppm/°C	-20		

Package Dimension



Matching Configuration



L1=12nH , L2=12nH, C1=C2=75pF
 Source / Load Impedance = 50Ω
 Ambient Temperature = 25°C

Rev0. 061218

