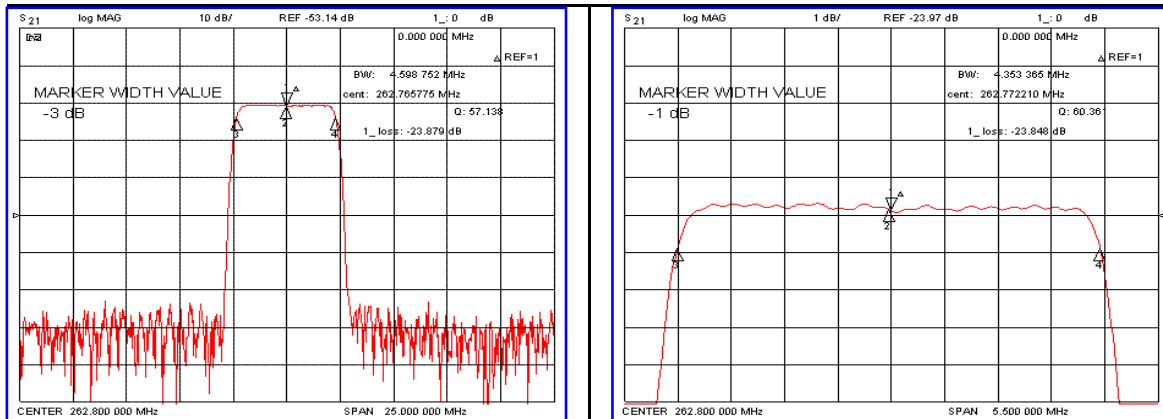


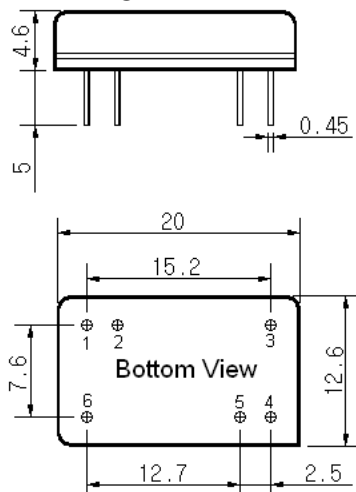
Typical Performance



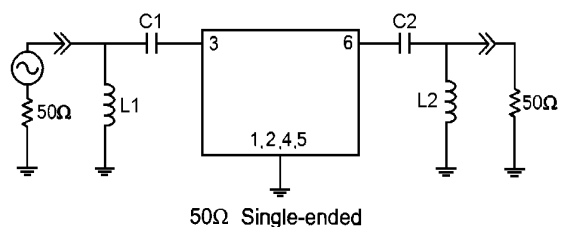
Specification

Parameter	Unit	Min.	Typ.	Max.
Center Frequency (Fc)	MHz	262.60	262.80	263.00
Insertion Loss	dB	-	23.90	25.50
1dB Bandwidth	MHz	-	4.35	-
3dB Bandwidth	MHz	4.40	4.59	-
40dB Bandwidth	MHz	-	5.56	5.80
Passband Ripple	dB	-	0.40	1.00
Group Delay Variation	nsec	-	80	150
Absolute Delay	µsec	-	2.27	-
Ultimate Attenuation	dB	48	53	-
Substrate Material	-	Quartz		

Package Dimension



Matching Configuration



L1=12nH, L2=10nH, C1= C2=47pF
 Source / Load Impedance = 50Ω
 Ambient Temperature = 25°C

Rev0. 070516

