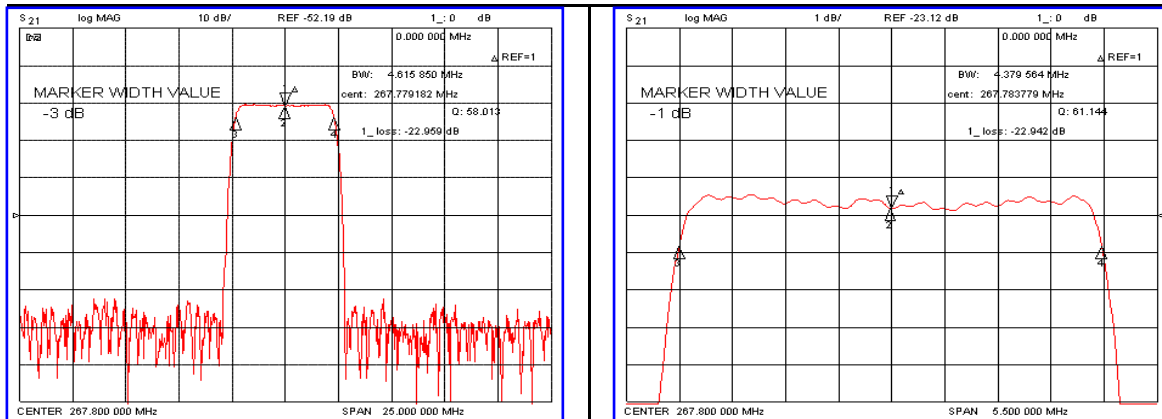


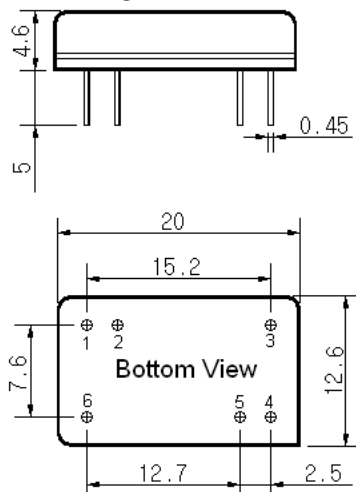
Typical Performance



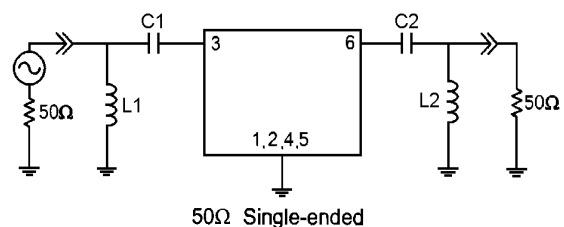
Specification

Parameter	Unit	Min.	Typ.	Max.
Center Frequency (Fc)	MHz	267.60	267.80	268.00
Insertion Loss	dB	-	23.00	25.50
1dB Bandwidth	MHz	-	4.37	-
3dB Bandwidth	MHz	4.40	4.61	-
40dB Bandwidth	MHz	-	5.54	5.80
Passband Ripple	dB	-	0.45	1.00
Group Delay Variation	nsec	-	150	250
Absolute Delay	µsec	-	2.24	-
Ultimate Attenuation	dB	48	53	-
Substrate Material	-	Quartz		

Package Dimension



Matching Configuration



L1=10nH, L2=8.2nH, C1=56pF, C2=68pF
 Source / Load Impedance = 50Ω
 Ambient Temperature = 25°C

Rev0. 070516

