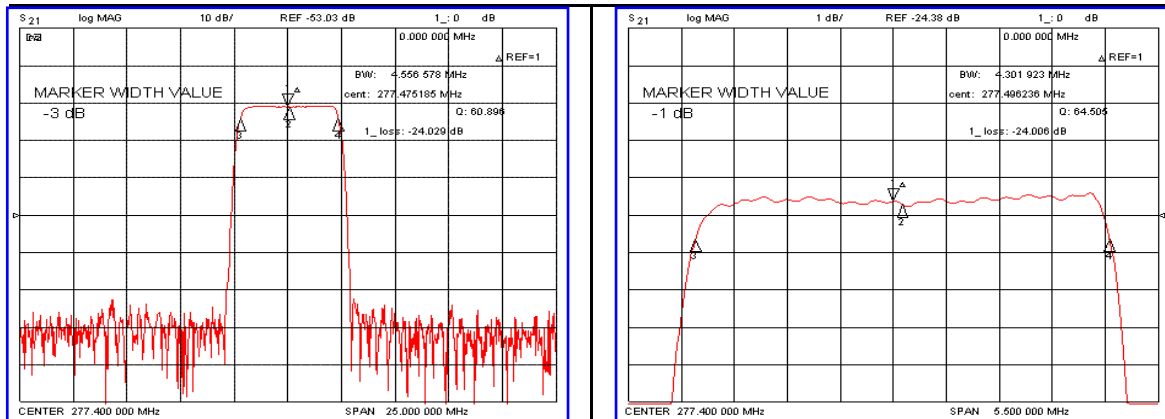


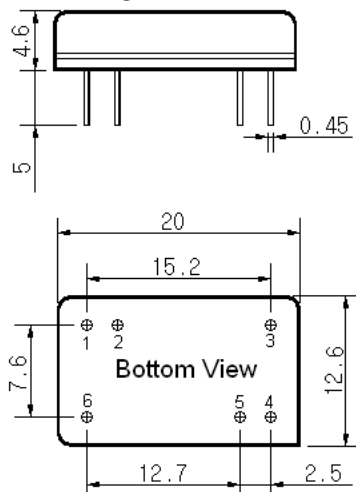
Typical Performance



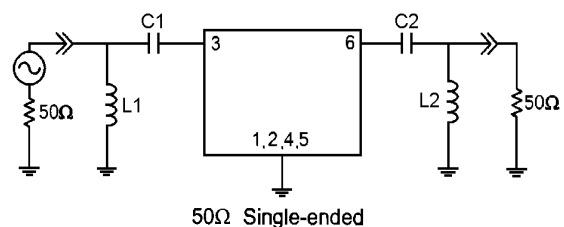
Specification

Parameter	Unit	Min.	Typ.	Max.
Center Frequency (Fc)	MHz	277.20	277.40	277.60
Insertion Loss	dB	-	24.10	25.50
1dB Bandwidth	MHz	-	4.30	-
3dB Bandwidth	MHz	4.40	4.55	-
40dB Bandwidth	MHz	-	5.55	5.80
Passband Ripple	dB	-	0.55	1.00
Group Delay Variation	nsec	-	150	250
Absolute Delay	µsec	-	2.20	-
Ultimate Attenuation	dB	48	53	-
Substrate Material	-	Quartz		

Package Dimension



Matching Configuration



L1=10nH, L2=10nH, C1=47pF, C2=43pF
 Source / Load Impedance = 50Ω
 Ambient Temperature = 25°C

Rev0. 070516

