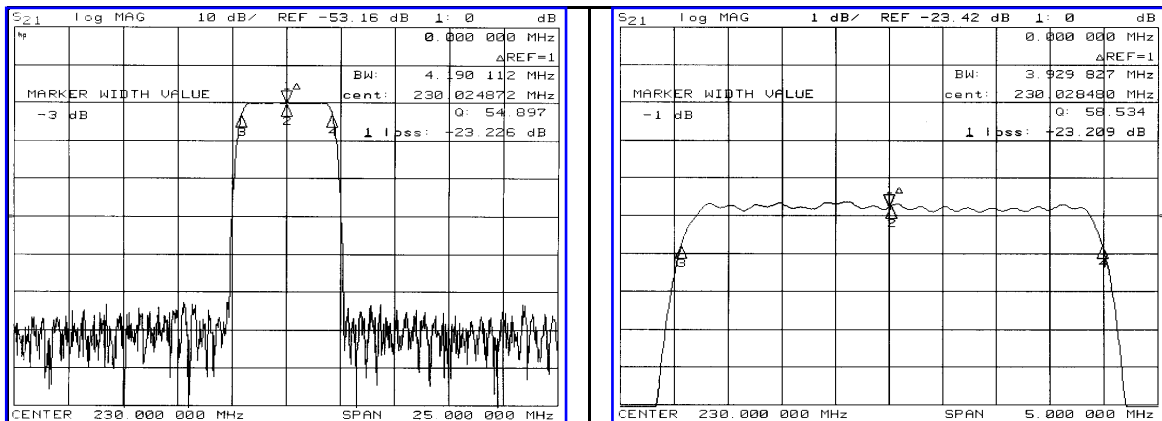


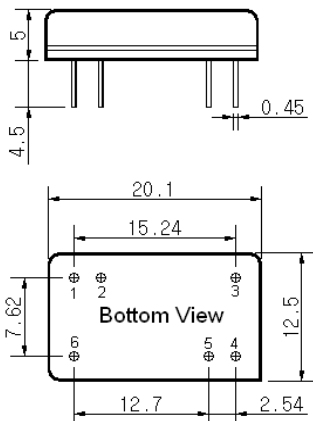
Typical Performance



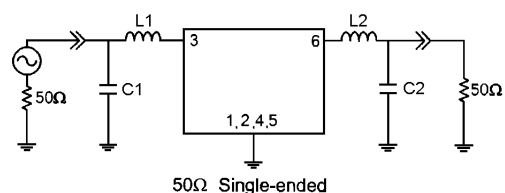
Specification

Parameter	Unit	Min.	Typ.	Max.
Center Frequency	MHz	229.80	230.00	230.20
Insertion Loss	dB	-	23.50	25.50
1dB Bandwidth	MHz	-	3.92	-
3dB Bandwidth	MHz	4.00	4.19	-
25dB Bandwidth	MHz	-	4.97	-
35dB Bandwidth	MHz	-	5.11	-
Passband Ripple	dB	-	0.45	1.00
Group Delay Variation	nsec	-	100	200
Absolute Delay	µsec	-	2.25	-
Ultimate Attenuation	dB	48	52	-
Substrate Material	-	Quartz		
Temperature Coefficient	ppm/°C ²	-0.03		

Package Dimension



Matching Configuration



L1=22nH, L2=22nH, C1=39pF, C2=36pF
 Source / Load Impedance = 50Ω
 Ambient Temperature = 25°C

06/19/2006

