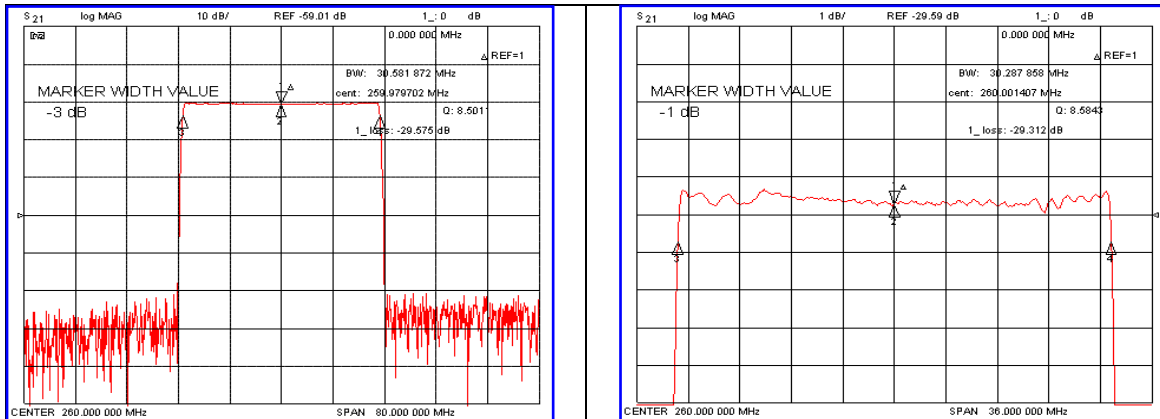


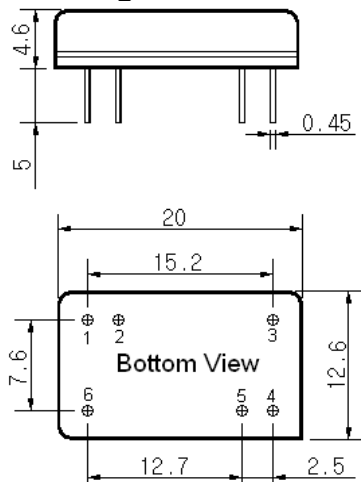
Typical Performance



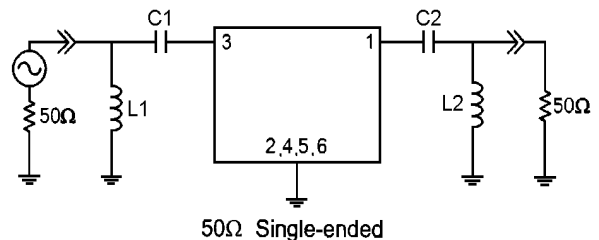
Specification

Parameter	Unit	Min.	Typ.	Max.
Center Frequency	MHz	-	260.00	-
Insertion Loss	dB	-	29.57	31.50
1dB Bandwidth	MHz	-	30.28	-
3dB Bandwidth	MHz	30.45	30.58	-
40dB Bandwidth	MHz	-	31.90	32.00
Passband Ripple($F_c \pm 14.22$ MHz)	dB	-	0.60	1.20
Group Delay Variation($F_c \pm 14.22$ MHz)	nsec	-	37	70
Absolute Delay	μ sec	-	2.74	-
Ultimate Attenuation	dB	45	50	-
Substrate Material	-	112- LiTaO ₃		
Temperature Coefficient	ppm/ $^{\circ}$ C	-20		

Package Dimension



Matching Configuration



L1=10nH, L2=8.2nH, C1=75pF, C2=100pF
 Source / Load Impedance = 50 Ω
 Ambient Temperature = 25 $^{\circ}$ C

Rev0. 100304

