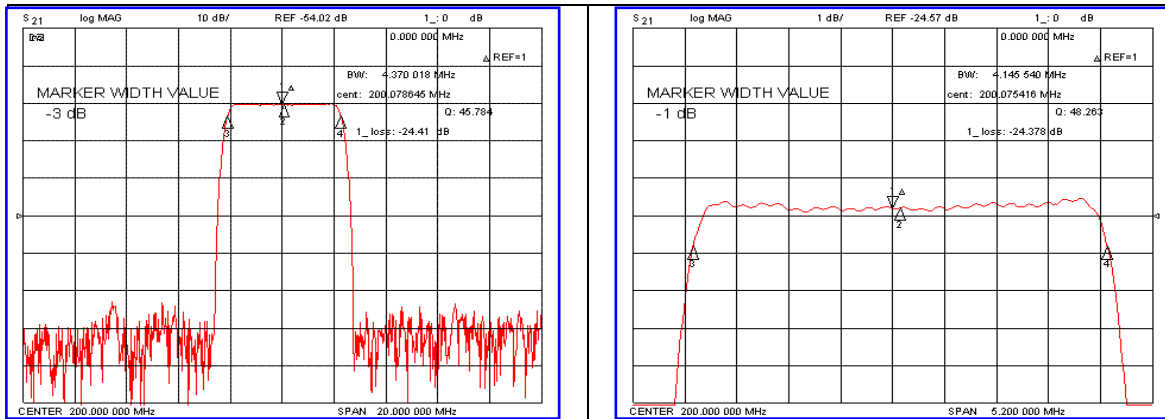


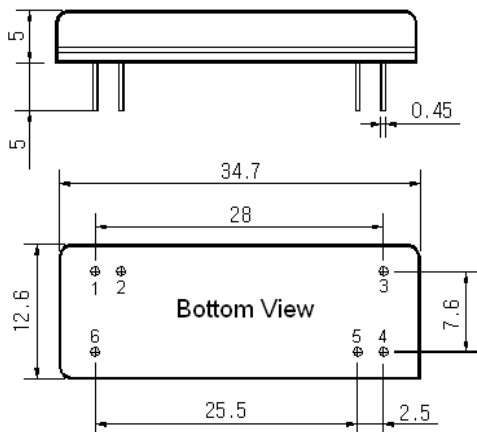
Typical Performance



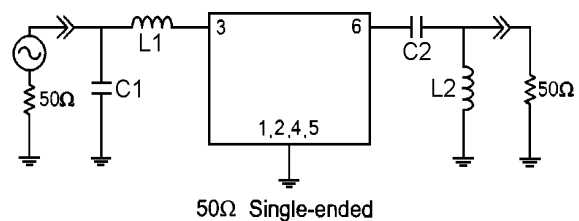
Specification

Parameter	Unit	Min.	Typ.	Max.
Center Frequency	MHz	199.85	200.00	200.15
Insertion Loss	dB	-	24.50	26.00
1dB Bandwidth	MHz	4.00	4.15	-
3dB Bandwidth	MHz	-	4.37	-
40dB Bandwidth	MHz	-	5.25	5.40
50dB Bandwidth	MHz	-	5.33	5.50
Passband Ripple	dB	-	0.40	1.00
Group Delay Variation	nsec	-	100	200
Absolute Delay	usec	-	2.80	-
Ultimate Attenuation	dB	50	54	-
Substrate Material	-	Quartz		
Temperature Coefficient	ppm/°C	-0.03		

Package Dimension



Matching Configuration



L1=22nH, L2=10nH, C1=43pF, C2=220pF
 Source / Load Impedance = 50Ω
 Ambient Temperature = 25°C

Rev.0 100416

