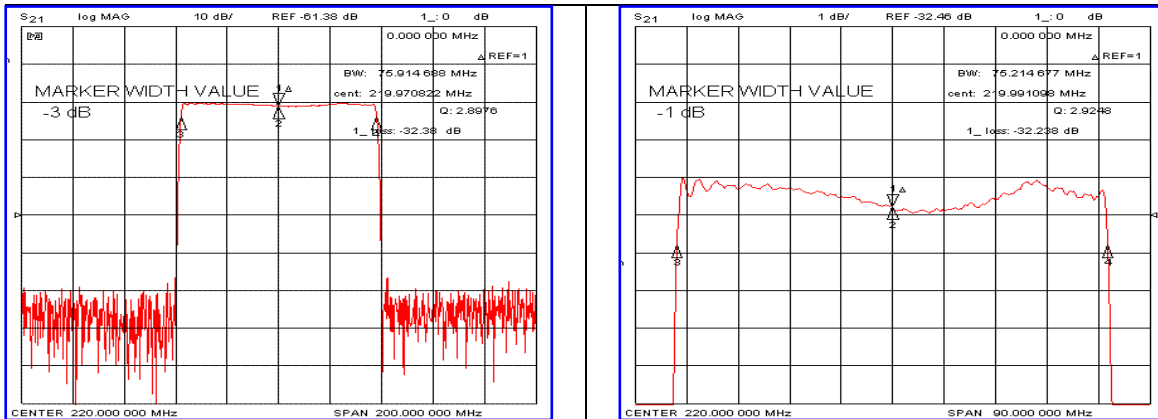


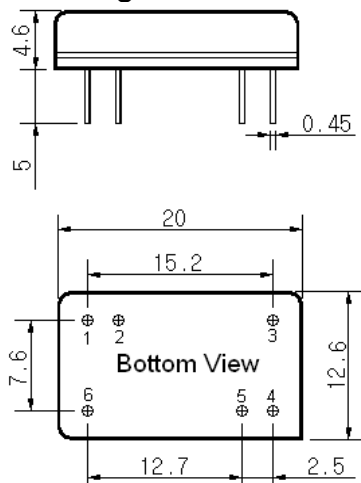
### Typical Performance



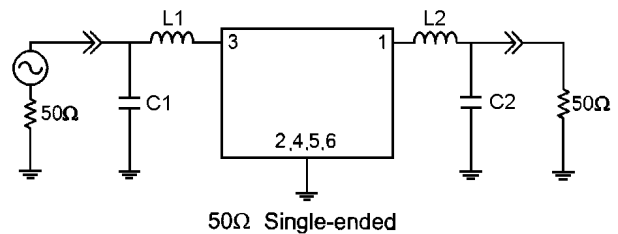
### Specification

Parameter	Unit	Min.	Typ.	Max.
Center Frequency	MHz	219.80	220.00	220.20
Insertion Loss	dB	-	32.50	34.50
1dB Bandwidth	MHz	74.50	75.21	-
3dB Bandwidth	MHz	-	75.91	-
40dB Bandwidth	MHz	-	79.40	81.00
Passband Ripple	dB	-	0.90	1.20
Group Delay Variation	nsec	-	10	50
Absolute Delay	μsec	-	1.01	-
Ultimate Attenuation	dB	35	45	-
Substrate Material	-	128- LiNbO <sub>3</sub>		
Temperature Coefficient	ppm/°C	-72		

### Package Dimension



### Matching Configuration



L1=18nH, L2=39nH, C1=6pF, C2=9pF  
 Source / Load Impedance = 50Ω  
 Ambient Temperature = 25°C

Rev1. 100715

