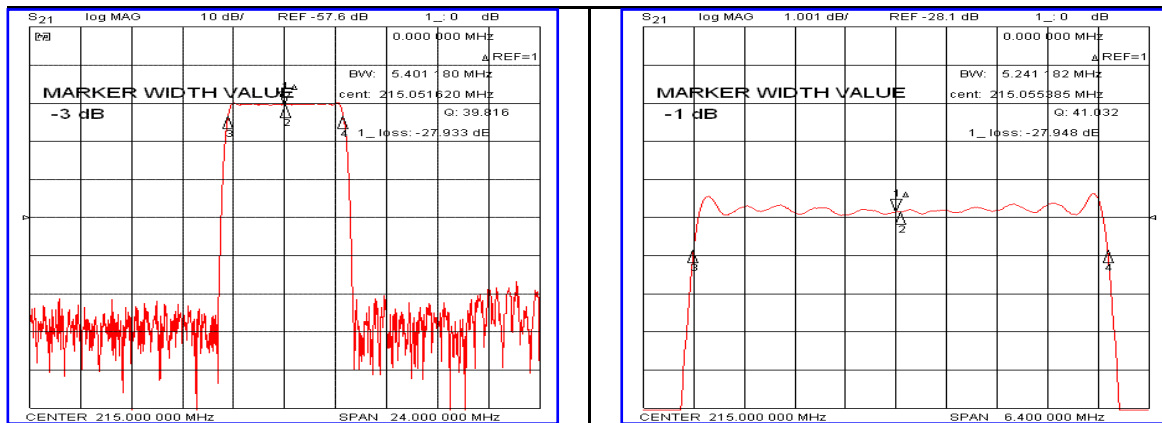


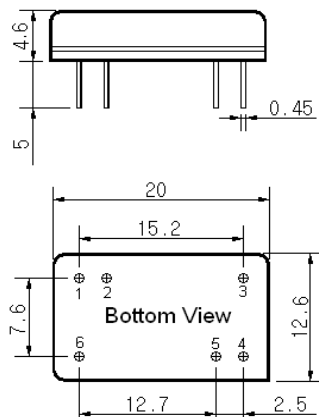
Typical Performance



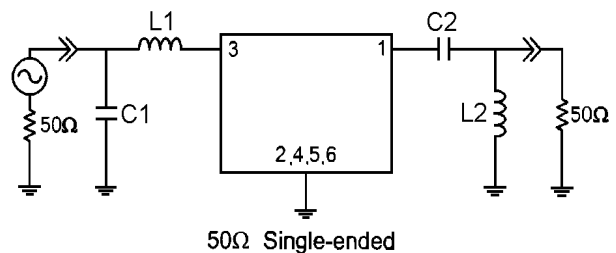
Specification

Parameter	Unit	Min.	Typ.	Max.
Center Frequency	MHz	214.85	215.00	215.12
Insertion Loss	dB	-	28.00	30.50
1dB Bandwidth	MHz	5.05	5.24	-
40dB Bandwidth	MHz	-	6.20	6.30
Passband Ripple($F_c \pm 2.46$ MHz)	dB	-	0.65	1.40
Ultimate Attenuation	dB	40	45	-
Absolute Delay	μ sec	-	2.40	-
Relative Attenuation				
$F_c - 2.46$ M-275KHz Point	dB	0.5	4.5	-
$F_c + 2.46$ M+275KHz Point	dB	1.0	4.5	-
Substrate Material	-	Quartz		
Temperature Coefficient	ppm/ $^{\circ}$ C	-0.032		

Package Dimension



Matching Configuration



L1=22nH, L2=22nH, C1=30pF, C2=300pF
 Source / Load Impedance = 50 Ω
 Ambient Temperature = 25 $^{\circ}$ C

Rev 2. 120503

