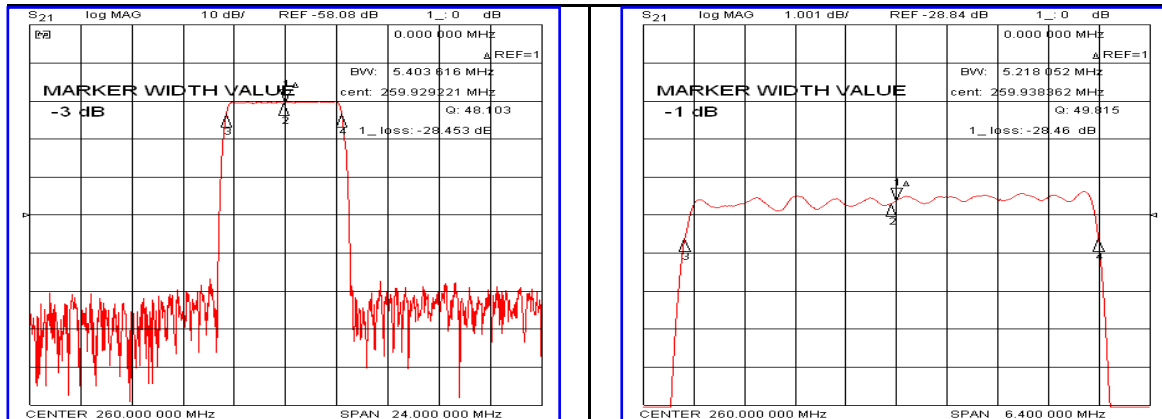


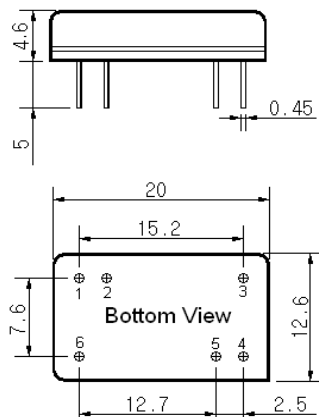
Typical Performance



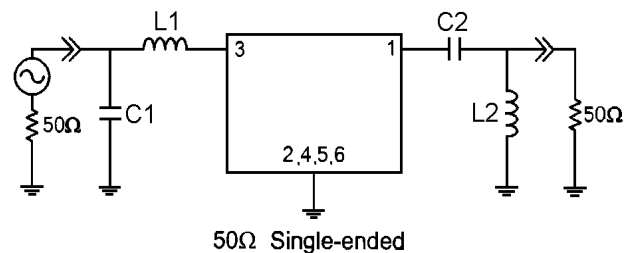
Specification

Parameter	Unit	Min.	Typ.	Max.
Center Frequency	MHz	259.85	260.00	260.12
Insertion Loss	dB	-	28.50	30.50
1dB Bandwidth	MHz	5.05	5.21	-
40dB Bandwidth	MHz	-	6.18	6.30
Passband Ripple($F_c \pm 2.46\text{MHz}$)	dB	-	0.60	1.40
Ultimate Attenuation	dB	40	45	-
Absolute Delay	μsec	-	2.41	-
Relative Attenuation				
$F_c - 2.46\text{M} - 275\text{KHz}$ Point	dB	0.5	4	
$F_c + 2.46\text{M} + 275\text{KHz}$ Point	dB	1.0	4	-
Substrate Material	-	Quartz		
Temperature Coefficient	ppm/ $^{\circ}\text{C}$	-0.032		

Package Dimension



Matching Configuration



L1=12nH, L2=12nH, C1=27pF, C2=47pF
 Source / Load Impedance = 50Ω
 Ambient Temperature = 25°C

Rev 2. 120503

