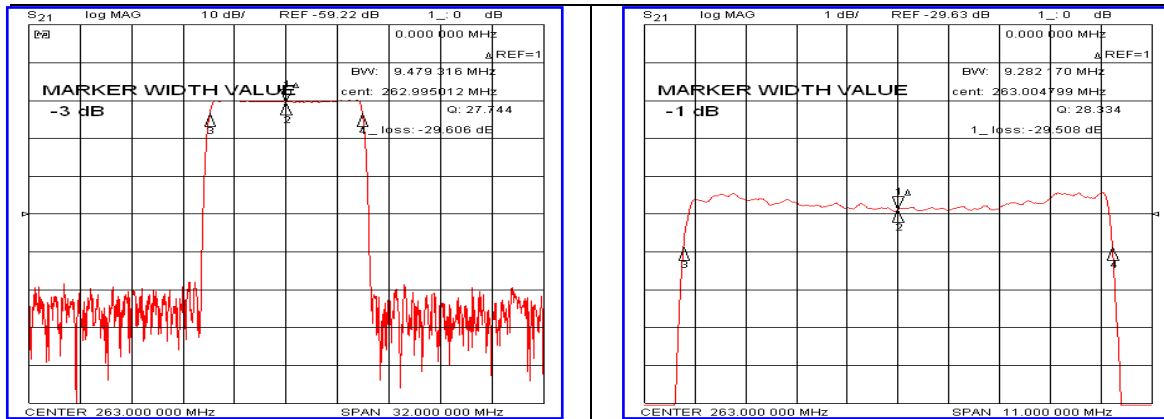


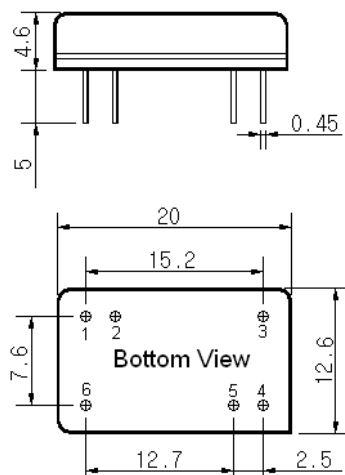
### Typical Performance



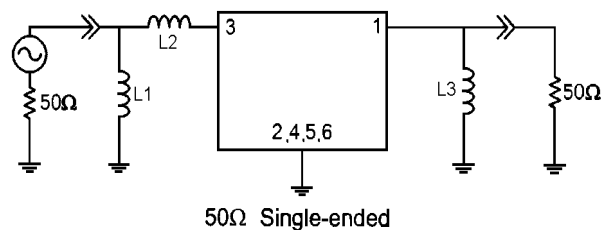
### Specification

Parameter	Unit	Min.	Typ.	Max.
Center Frequency	MHz	-	263.00	-
Insertion Loss	dB	-	29.60	32.00
1dB Bandwidth	MHz	9.10	9.28	-
20dB Bandwidth	MHz	-	10.10	10.20
40dB Bandwidth	MHz	-	10.40	-
Passband Ripple( $F_c \pm 4.5\text{MHz}$ )	dB	-	0.60	1.50
Group Delay Variation( $F_c \pm 4.5\text{MHz}$ )	nsec	-	100	200
Absolute Delay	$\mu\text{sec}$	-	2.21	-
Ultimate Attenuation	dB	40	47	-
Substrate Material	-	Quartz		
Temperature Coefficient	ppm/ $^{\circ}\text{C}$	-0.032		

### Package Dimension



### Matching Configuration



L1=6.8nH, L2=1.8nH, L3=10nH  
 Source / Load Impedance = 50 $\Omega$   
 Ambient Temperature = 25 $^{\circ}\text{C}$

Rev.0 120326

