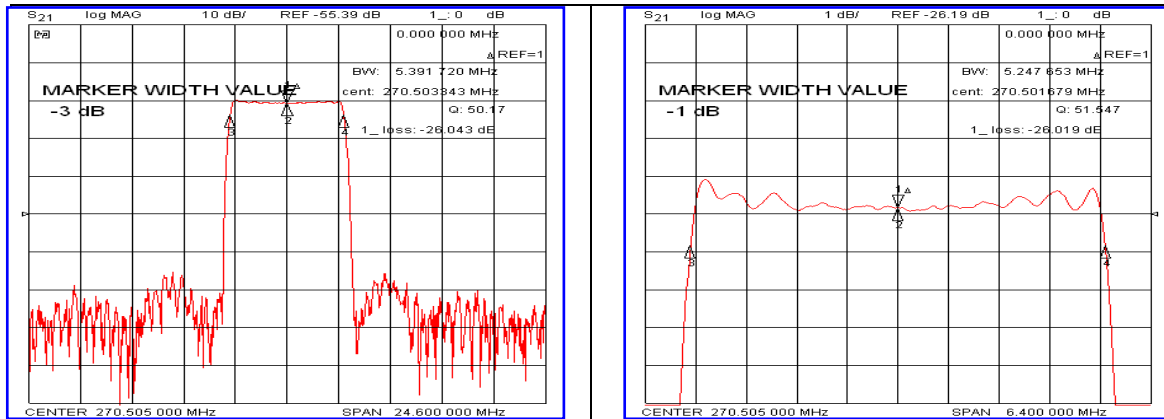


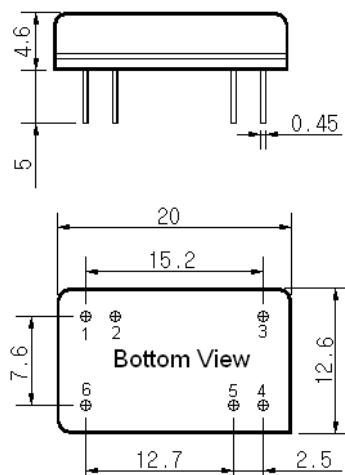
Typical Performance



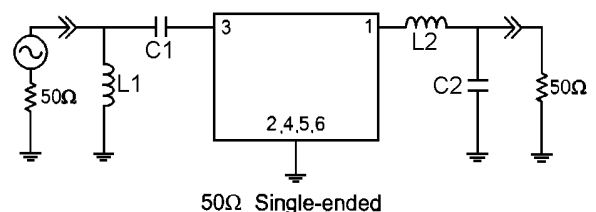
Specification

Parameter	Unit	Min.	Typ.	Max.
Center Frequency	MHz	-	270.505	-
Insertion Loss	dB	-	26.05	28.00
1dB Bandwidth	MHz	5.10	5.24	-
20dB Bandwidth	MHz	-	5.85	6.00
40dB Bandwidth	MHz	-	6.08	6.20
Passband Ripple($F_c \pm 2.46$ MHz)	dB	-	0.85	1.50
Group Delay Variation($F_c \pm 2.46$ MHz)	nsec	-	125	250
Absolute Delay	μ sec	-	2.50	-
Ultimate Attenuation	dB	40	45	-
Substrate Material	-	Quartz		
Temperature Coefficient	ppm/ $^{\circ}$ C	-0.032		

Package Dimension



Matching Configuration



L1=8.2nH, L2=18nH, C1=180pF, C2=22pF
 Source / Load Impedance = 50 Ω
 Ambient Temperature = 25 $^{\circ}$ C

Rev.1 120627

