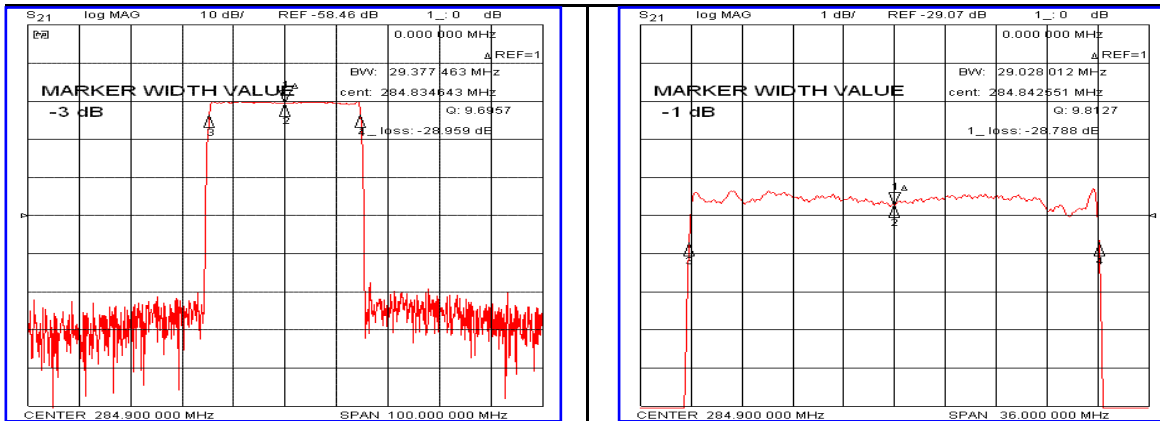


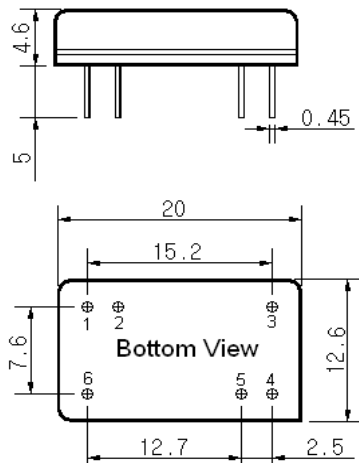
Typical Performance



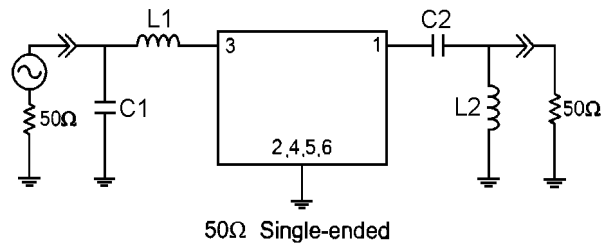
Specification

Parameter	Unit	Min.	Typ.	Max.
Center Frequency	MHz	-	284.90	-
Insertion Loss	dB	-	28.80	30.50
1dB Bandwidth	MHz	28.90	29.02	-
3dB Bandwidth	MHz	-	29.37	-
40dB Bandwidth	MHz	-	30.95	31.20
Passband Ripple($F_c \pm 14.22\text{MHz}$)	dB	-	0.75	1.20
Group Delay Variation($F_c \pm 14.22\text{MHz}$)	dB	-	50	100
Ultimate Attenuation	dB	42	47	-
Absolute Delay	μsec	-	2.61	-
Substrate Material	-	112-LiTaO ₃		
Temperature Coefficient	ppm/ $^{\circ}\text{C}$	-20		

Package Dimension



Matching Configuration



L1=15nH, L2=10nH, C1=27pF, C2=100pF
 Source / Load Impedance = 50Ω
 Ambient Temperature = 25°C

Rev 0. 120328

