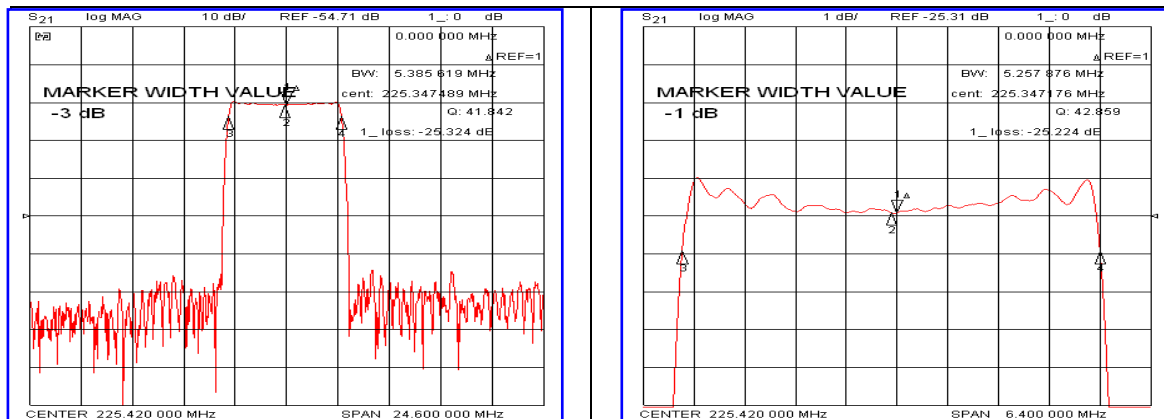


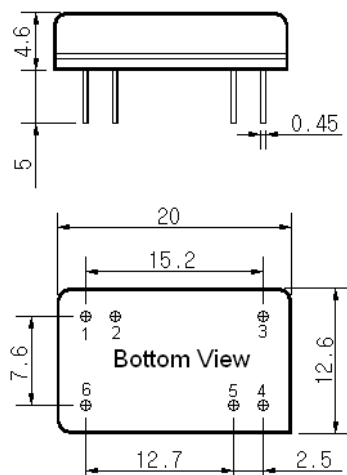
### Typical Performance



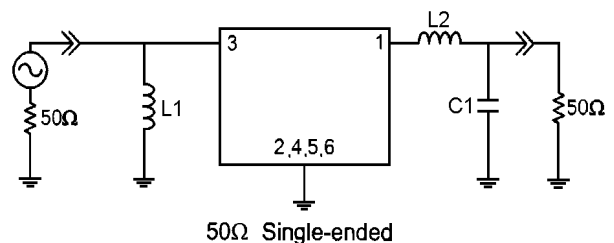
### Specification

Parameter	Unit	Min.	Typ.	Max.
Center Frequency	MHz	-	225.420	-
Insertion Loss	dB	-	25.50	27.50
1dB Bandwidth	MHz	5.10	5.25	-
20dB Bandwidth	MHz	-	5.85	6.00
40dB Bandwidth	MHz	-	6.05	6.20
Passband Ripple( $F_c \pm 2.46$ MHz)	dB	-	0.88	1.50
Group Delay Variation( $F_c \pm 2.46$ MHz)	nsec	-	120	250
Absolute Delay	$\mu$ sec	-	2.51	-
Ultimate Attenuation	dB	40	45	-
Substrate Material	-	Quartz		
Temperature Coefficient	ppm/ $^{\circ}$ C	-0.032		

### Package Dimension



### Matching Configuration



L1=12nH, L2=27nH, C1=30pF  
 Source / Load Impedance = 50 $\Omega$   
 Ambient Temperature = 25 $^{\circ}$ C

Rev.1 120627

