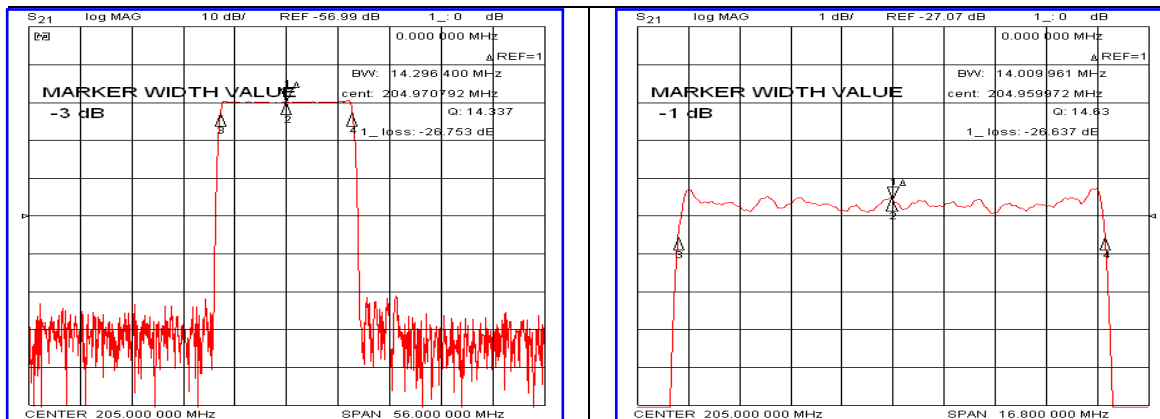


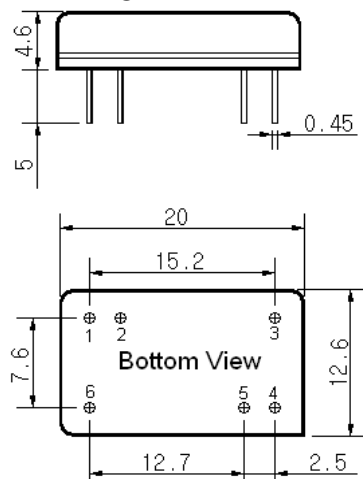
Typical Performance



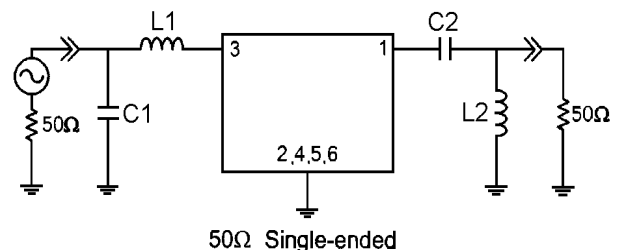
Specification

Parameter	Unit	Min.	Typ.	Max.
Center Frequency	MHz	-	205.00	-
Insertion Loss	dB	-	26.80	28.50
1dB Bandwidth	MHz	13.80	14.00	-
3dB Bandwidth	MHz	-	14.29	-
40dB Bandwidth	MHz	-	15.60	15.80
Passband Ripple	dB	-	0.65	1.20
Group Delay Variation	nsec	-	60	150
Absolute Delay	µsec	-	2.21	-
Ultimate Attenuation	dB	43	48	-
Substrate Material	-	112-LiTaO ₃		
Temperature Coefficient	ppm/°C	-20		

Package Dimension



Matching Configuration



L1=18nH, L2=12nH, C1=47pF, C2=200pF
 Source / Load Impedance = 50Ω
 Ambient Temperature = 25°C

Rev0. 120925

