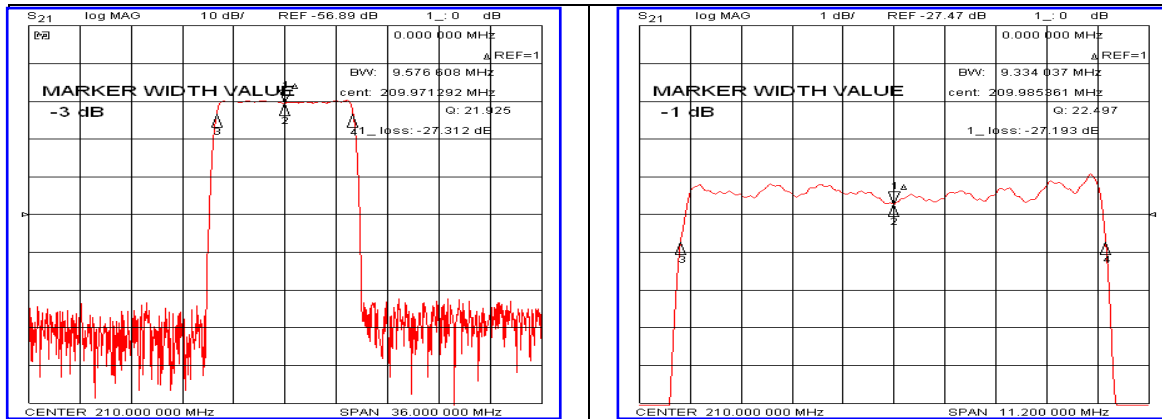


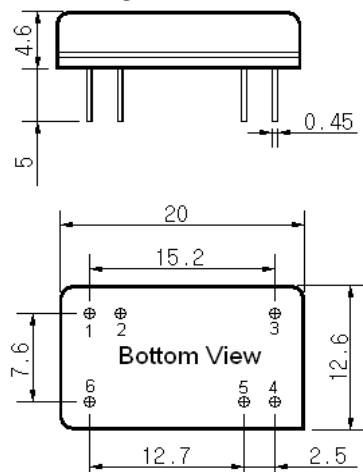
Typical Performance



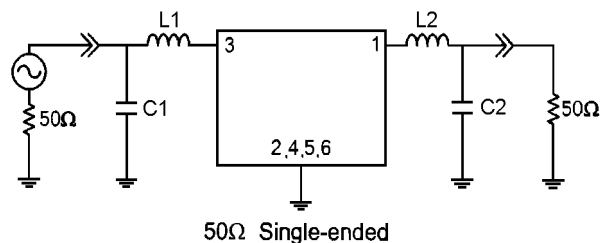
Specification

Parameter	Unit	Min.	Typ.	Max.
Center Frequency	MHz	-	210.00	-
Insertion Loss	dB	-	27.40	29.00
1dB Bandwidth	MHz	9.15	9.33	-
3dB Bandwidth	MHz	-	9.57	-
45dB Bandwidth	MHz	-	10.76	10.90
Passband Ripple($F_c \pm 4.5\text{MHz}$)	dB	-	0.78	1.20
Group Delay Variation($F_c \pm 4.5\text{MHz}$)	nsec	-	80	150
Absolute Delay	μsec	-	2.28	-
Ultimate Attenuation	dB	50	53	-
Substrate Material	-	112-LiTaO ₃		
Temperature Coefficient	ppm/ $^{\circ}\text{C}$	-20		

Package Dimension



Matching Configuration



L1=15nH, L2=15nH, C1=36pF, C2=36pF
 Source / Load Impedance = 50 Ω
 Ambient Temperature = 25 $^{\circ}\text{C}$

Rev0. 121102

