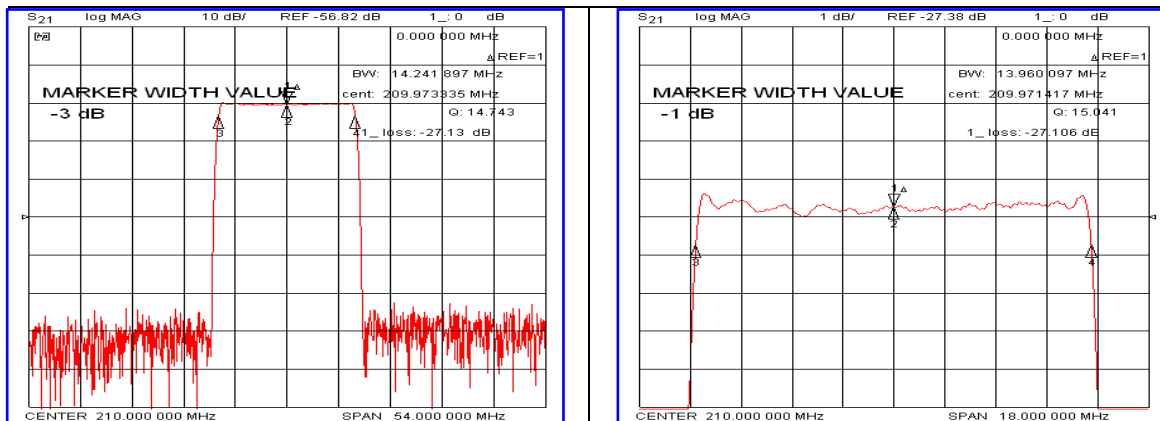


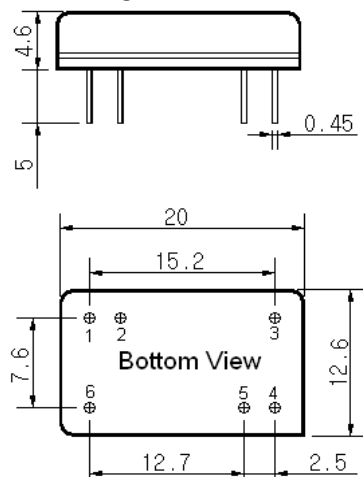
### Typical Performance



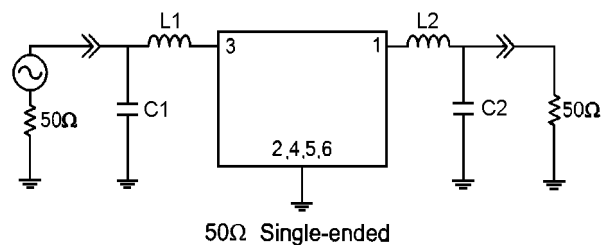
### Specification

Parameter	Unit	Min.	Typ.	Max.
Center Frequency	MHz	-	210.00	-
Insertion Loss	dB	-	27.20	28.50
1dB Bandwidth	MHz	13.80	13.96	-
3dB Bandwidth	MHz	-	14.24	-
45dB Bandwidth	MHz	-	15.60	15.75
Passband Ripple( $F_c \pm 6.75$ MHz)	dB	-	0.65	1.20
Group Delay Variation( $F_c \pm 6.75$ MHz)	nsec	-	55	100
Absolute Delay	$\mu$ sec	-	2.25	-
Ultimate Attenuation	dB	50	53	-
Substrate Material	-	112-LiTaO <sub>3</sub>		
Temperature Coefficient	ppm/ $^{\circ}$ C	-20		

### Package Dimension



### Matching Configuration



L1=18H, L2=22nH, C1=47pF, C2=33pF  
 Source / Load Impedance = 50 $\Omega$   
 Ambient Temperature = 25 $^{\circ}$ C

Rev0. 121102

