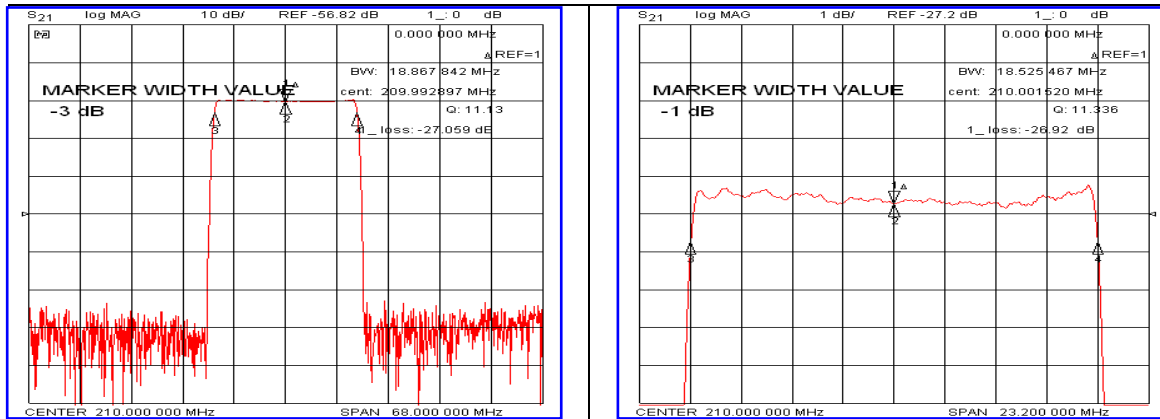


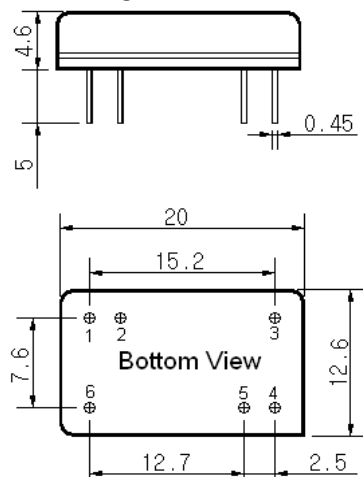
### Typical Performance



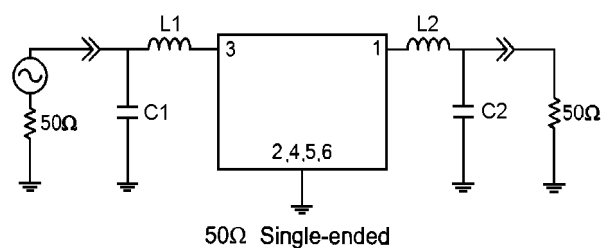
### Specification

Parameter	Unit	Min.	Typ.	Max.
Center Frequency	MHz	-	210.00	-
Insertion Loss	dB	-	27.10	28.50
1dB Bandwidth	MHz	18.35	18.52	-
3dB Bandwidth	MHz	-	18.86	-
45dB Bandwidth	MHz	-	20.53	20.65
Passband Ripple( $F_c \pm 9\text{MHz}$ )	dB	-	0.60	1.20
Group Delay Variation( $F_c \pm 9\text{MHz}$ )	nsec	-	30	100
Absolute Delay	$\mu\text{sec}$	-	2.23	-
Ultimate Attenuation	dB	50	53	-
Substrate Material	-	112-LiTaO <sub>3</sub>		
Temperature Coefficient	ppm/ $^{\circ}\text{C}$	-20		

### Package Dimension



### Matching Configuration



L1=22nH, L2=27nH, C1=39pF, C2=30pF  
 Source / Load Impedance = 50 $\Omega$   
 Ambient Temperature = 25 $^{\circ}\text{C}$

Rev0. 121102

