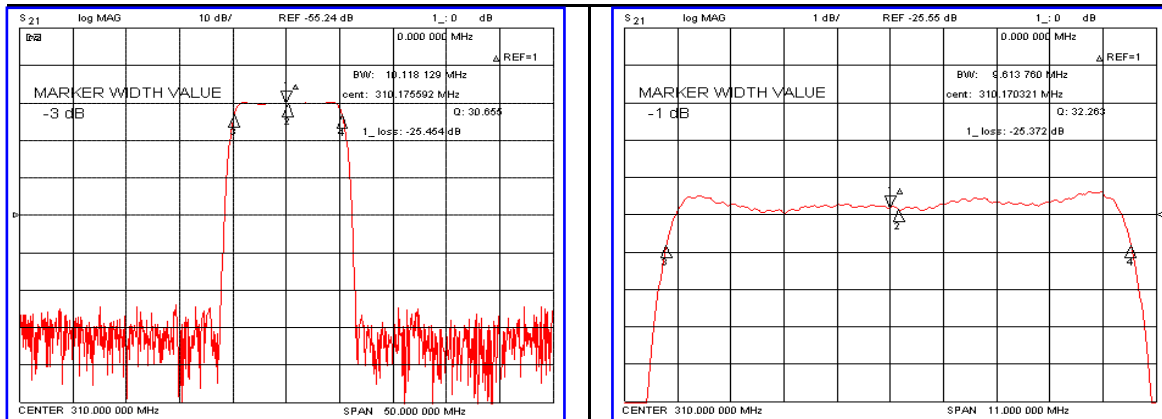


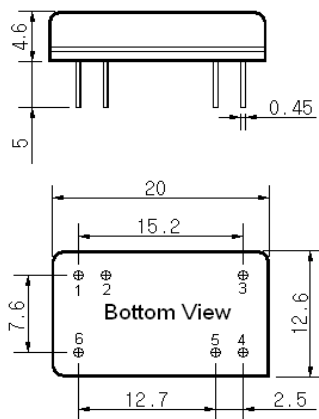
Typical Performance



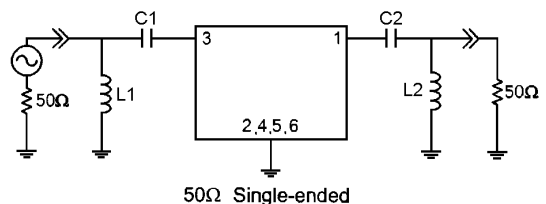
Specification

Parameter	Unit	Min.	Typ.	Max.
Center Frequency (Fc)	MHz	309.80	310.00	310.20
Insertion Loss	dB	-	25.50	27.00
1dB Bandwidth	MHz	-	9.61	-
3dB Bandwidth	MHz	9.90	10.11	-
40dB Bandwidth	MHz	-	12.27	12.40
Passband Ripple	dB	-	0.60	1.00
Group Delay Variation	nsec	-	65	75
Absolute Delay	μsec	-	2.10	-
Ultimate Attenuation	dB	50	55	-
Substrate Material	-	LiTaO ₃		
Temperature Coefficient	ppm/°C	-20		

Package Dimension



Matching Configuration



L1=12nH , L2=12nH, C1=C2=20pF
 Source / Load Impedance = 50Ω
 Ambient Temperature = 25°C

