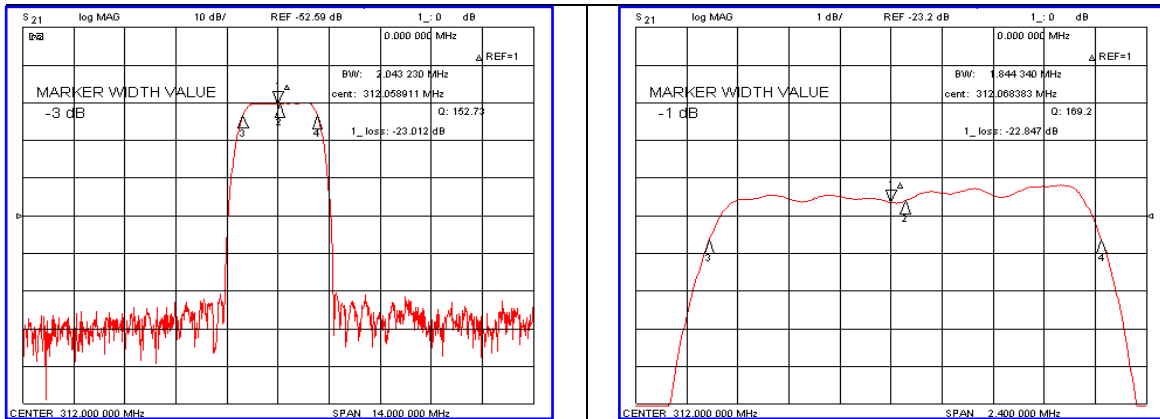


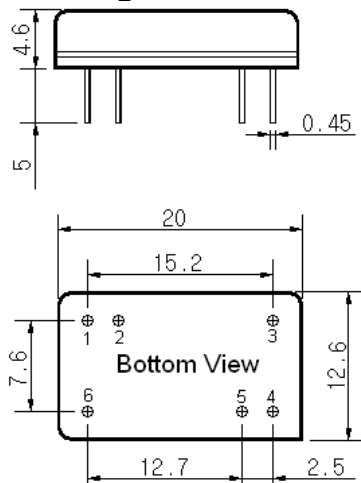
### Typical Performance



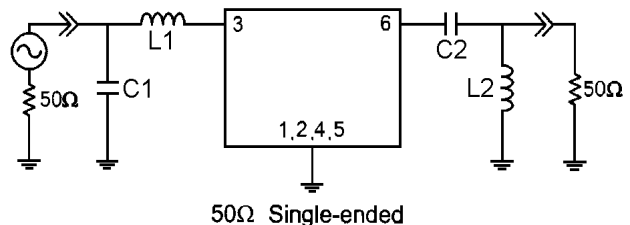
### Specification

Parameter	Unit	Min.	Typ.	Max.
Center Frequency	MHz	311.80	312.00	312.20
Insertion Loss	dB	-	23.10	25.00
1dB Bandwidth	MHz	1.60	1.84	-
3dB Bandwidth	MHz	-	2.04	-
40dB Bandwidth	MHz	-	2.92	3.00
Passband Ripple	dB	-	0.50	1.00
Group Delay Variation	nsec	-	200	300
Absolute Delay	μsec	-	2.10	-
Ultimate Attenuation	dB	45	50	-
Substrate Material	-	<b>Quartz</b>		
Temperature Coefficient	ppm/°C	-0.03		

### Package Dimension



### Matching Configuration



L1=2.7nH, L2=6.8nH, C1=24pF, C2=20pF  
 Source / Load Impedance = 50Ω  
 Ambient Temperature = 25°C

Rev0. 090511

