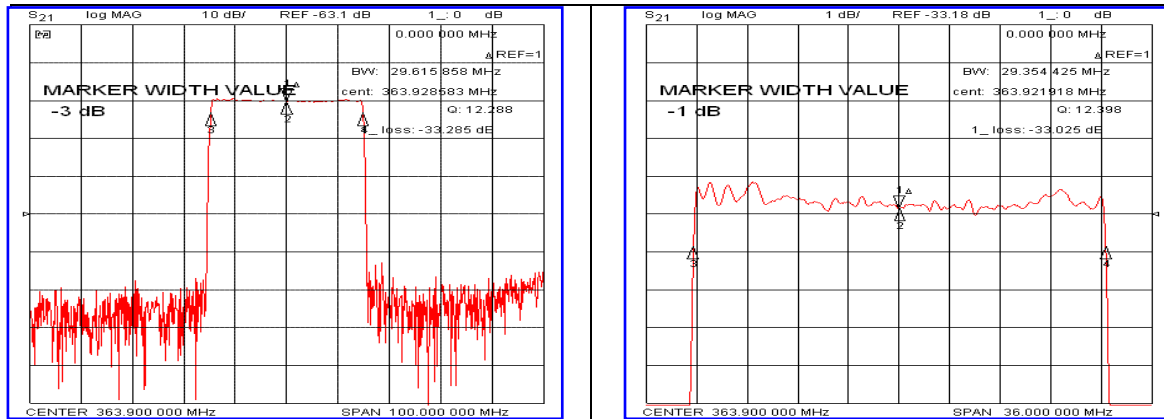


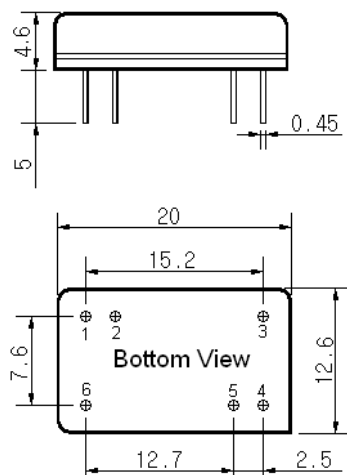
### Typical Performance



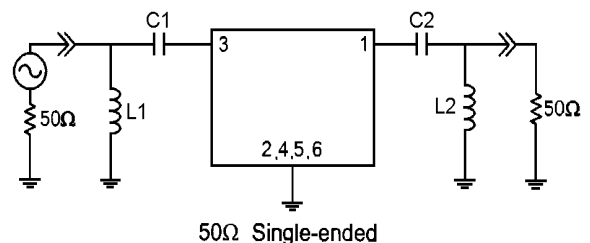
### Specification

Parameter	Unit	Min.	Typ.	Max.
Center Frequency	MHz	-	363.90	-
Insertion Loss	dB	-	33.50	35.50
1dB Bandwidth	MHz	29.20	29.35	-
20dB Bandwidth	MHz	-	30.55	-
40dB Bandwidth	MHz	-	31.00	31.20
Passband Ripple( $F_c \pm 14.22\text{MHz}$ )	dB	-	0.90	1.80
Group Delay Variation( $F_c \pm 14.22\text{MHz}$ )	nsec	-	50	100
Absolute Delay	$\mu\text{sec}$	-	2.63	-
Ultimate Attenuation	dB	40	44	-
Substrate Material	-	112-LiTaO <sub>3</sub>		
Temperature Coefficient	ppm/ $^{\circ}\text{C}$	-20		

### Package Dimension



### Matching Configuration



L1=6.8nH, L2=10nH, C1=24pF, C2=22pF  
 Source / Load Impedance = 50 $\Omega$   
 Ambient Temperature = 25 $^{\circ}\text{C}$

Rev.0 120326

