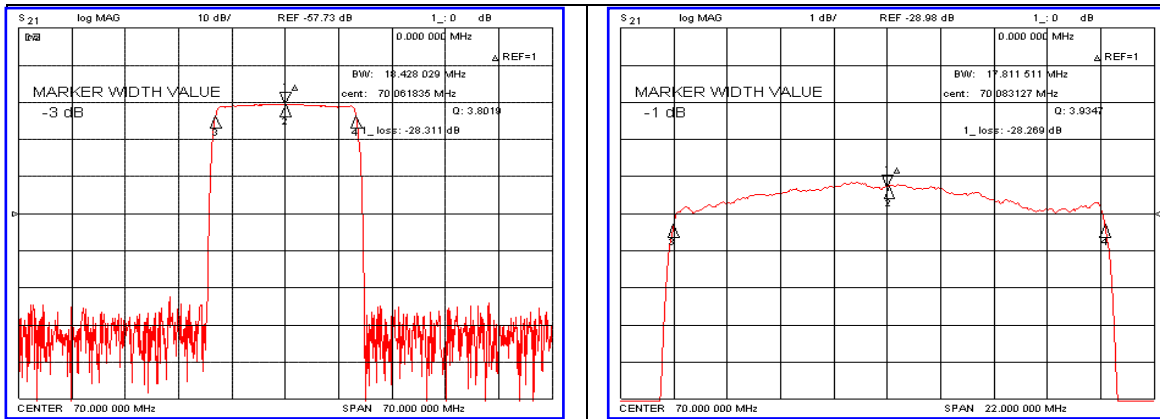


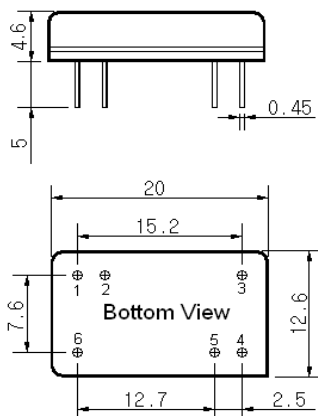
Typical Performance



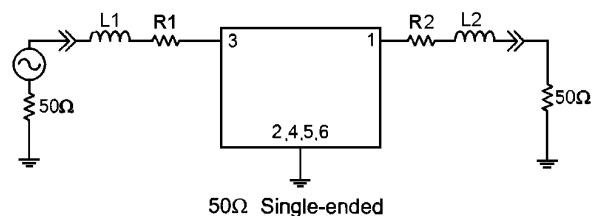
Specification

Parameter	Unit	Min.	Typ.	Max.
Center Frequency	MHz	69.92	70.00	70.08
Insertion Loss	dB	-	28.50	30.00
1dB Bandwidth	MHz	-	17.81	-
3dB Bandwidth	MHz	18.30	18.42	-
40dB Bandwidth	MHz	-	20.40	20.60
Passband Ripple	dB	-	0.90	1.20
Group Delay Variation	nsec	-	50	100
Absolute Delay	μsec	-	1.81	-
Ultimate Attenuation	dB	50	55	-
Substrate Material	-	128-LiNbO ₃		
Temperature Coefficient	ppm/°C	-72		

Package Dimension



Matching Configuration



R1=33 Ω, R2=33 Ω, L1=150nH, L2=180nH
 Source / Load Impedance = 50Ω
 Ambient Temperature = 25°C

Rev0.061214

