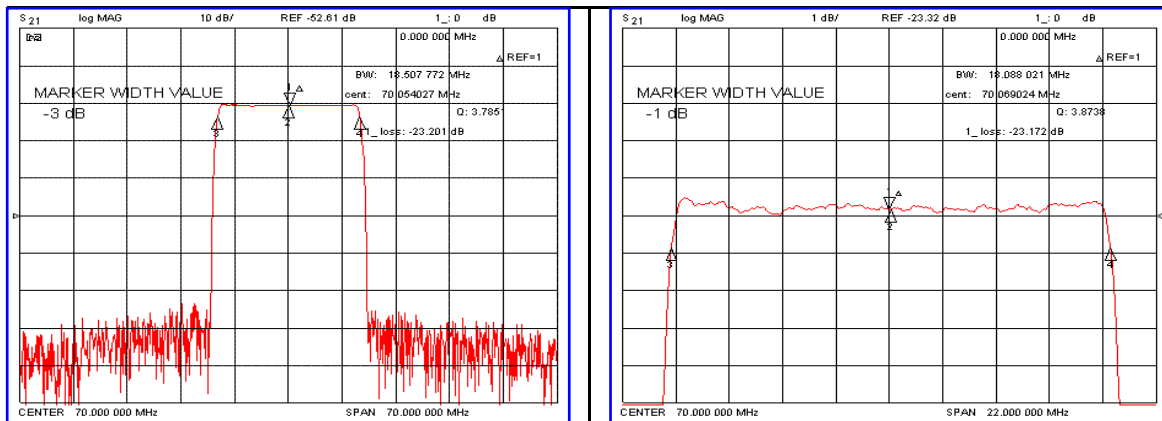


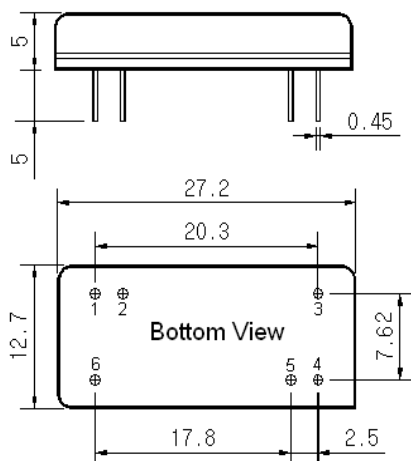
Typical Performance



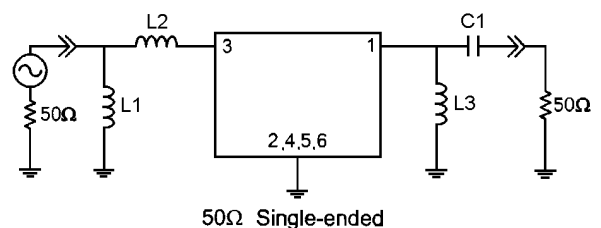
Specification

Parameter	Unit	Min.	Typ.	Max.
Center Frequency (Fc)	MHz	69.92	70.00	70.08
Insertion Loss	dB	-	23.50	25.00
1dB Bandwidth	MHz	-	18.08	-
3dB Bandwidth	MHz	18.40	18.50	-
40dB Bandwidth	MHz	-	20.25	20.50
Passband Ripple	dB	-	0.50	1.00
Group Delay Variation	nsec	-	50	100
Absolute Delay	μsec	-	1.87	-
Ultimate Attenuation	dB	50	55	-
Substrate Material	-	128-LiNbO ₃		
Temperature Coefficient	ppm/°C	-72		

Package Dimension



Matching Configuration



L1=220nH, L2=120nH, L3=150nH C1=56pF
 Source / Load Impedance = 50Ω
 Ambient Temperature = 25°C

Rev 0. 070207

