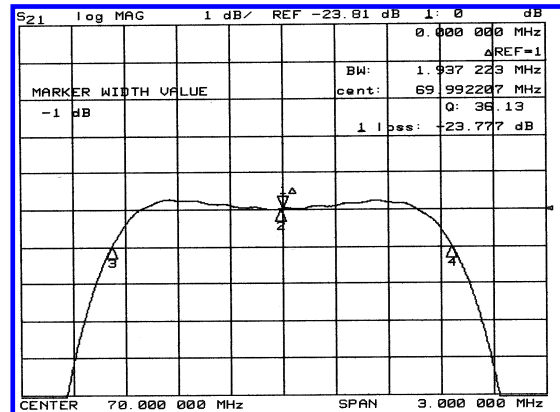
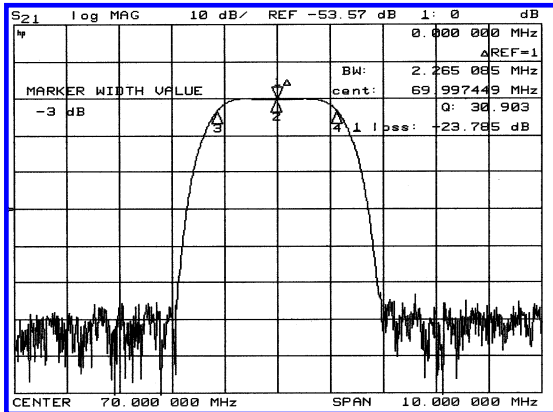


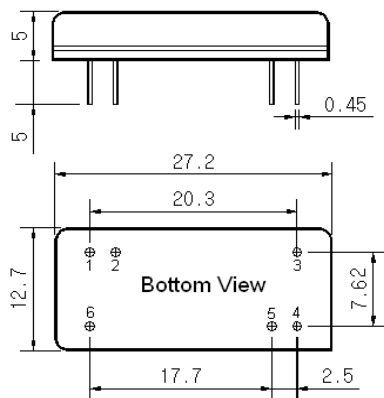
Typical Performance



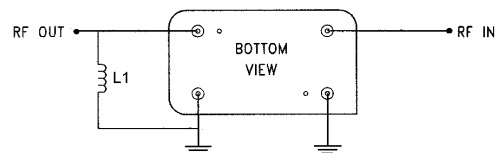
Specification

Parameter	Unit	Min.	Typ.	Max.
Center Frequency	Mhz	69.92	70.00	70.08
Insertion Loss	dB	-	23.50	25.00
1dB Bandwidth	MHz	1.80	1.94	-
3dB Bandwidth	Mhz	2.00	2.26	-
40dB Bandwidth	Mhz	-	3.62	3.80
Passband Ripple	dB	-	0.45	0.80
Group Delay Variation	nsec	-	50	100
Absolute Delay	µsec	-	2.9	-
Ultimate Attenuation	dB	50	60	-
Substrate Material	-	LiTaO ₃		

Package Dimension



Matching Configuration



L1 = 100nH
 Source / Load Impedance = 50Ω
 Ambient Temperature = 25°C

05/15/2003