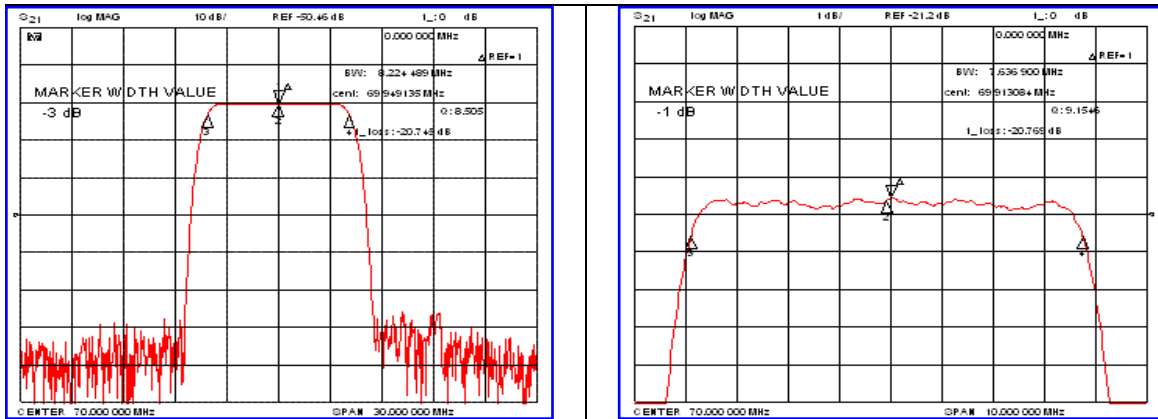


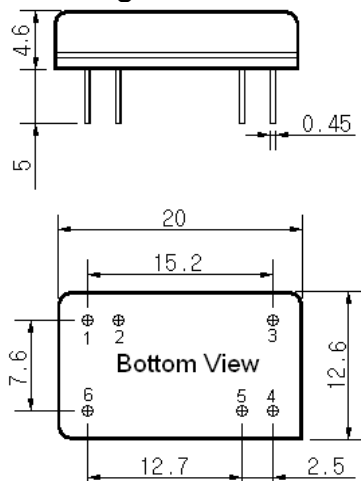
Typical Performance



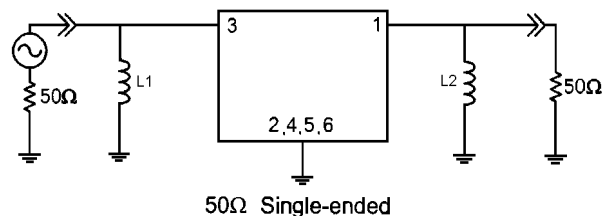
Specification

Parameter	Unit	Min.	Typ.	Max.
Center Frequency	MHz	69.92	70.00	70.08
Insertion Loss	dB	-	20.74	22.50
1dB Bandwidth	MHz	-	7.63	-
3dB Bandwidth	MHz	8.00	8.22	-
40dB Bandwidth	MHz	-	10.48	10.60
Passband Ripple	dB	-	0.40	0.80
Group Delay Variation	nsec	-	50	100
Absolute Delay	μsec	-	1.59	-
Ultimate Attenuation	dB	50	55	-
Substrate Material	-	YZ- LiNbO ₃		
Temperature Coefficient	ppm/°C	-94		

Package Dimension



Matching Configuration



L1=220nH, L2=220nH
 Source / Load Impedance = 50Ω
 Ambient Temperature = 25°C

Rev0. 080827

