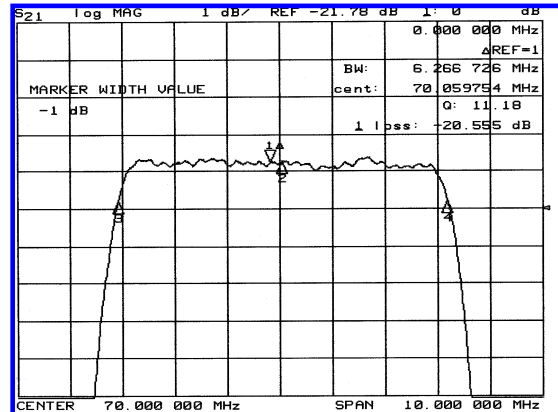
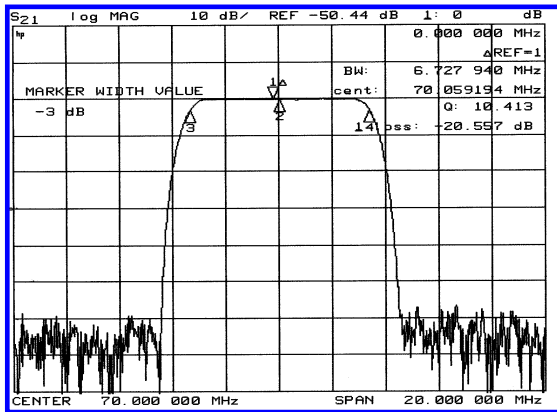


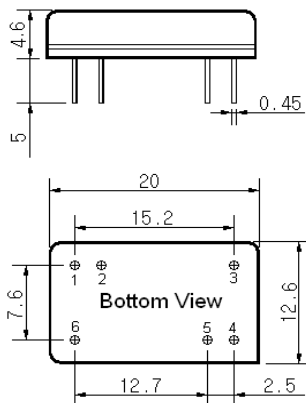
Typical Performance



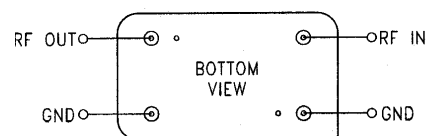
Specification

Parameter	Unit	Min.	Typ.	Max.
Center Frequency	Mhz	69.92	70.00	70.08
Insertion Loss	dB	-	20.50	22.00
1dB Bandwidth	MHz	6.00	6.26	-
3dB Bandwidth	Mhz	6.50	6.73	-
40dB Bandwidth	Mhz	-	8.64	8.90
Passband Ripple	dB	-	0.45	0.80
Group Delay Variation	nsec	-	80	150
Absolute Delay	µsec	-	2.15	-
Ultimate Attenuation	dB	50	60	-
Substrate Material	-	-	YZ LiNbO ₃	-

Package Dimension



Matching Configuration



Bottom View
Source / Load Impedance = 50Ω
Ambient Temperature = 25°C

05/15/2002