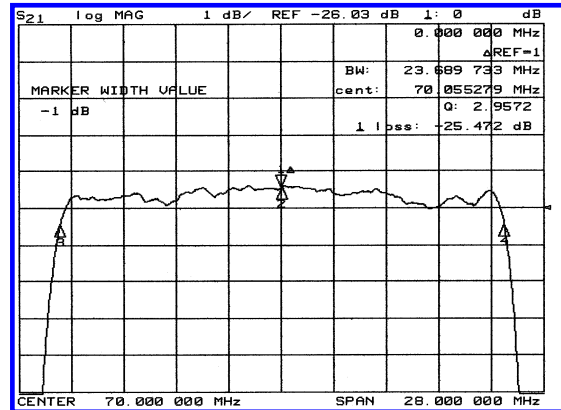
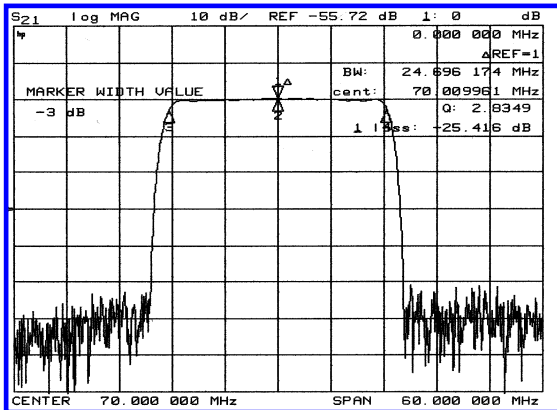


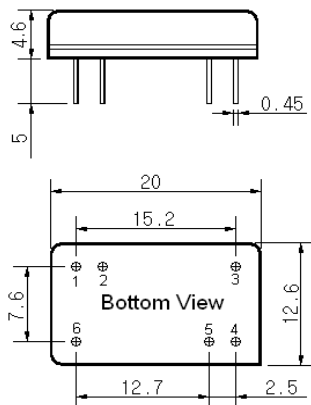
Typical Performance



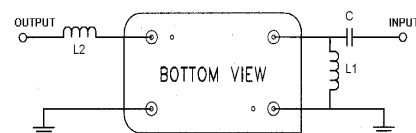
Specification

Parameter	Unit	Min.	Typ.	Max.
Center Frequency	Mhz	69.92	70.00	70.08
Insertion Loss	dB	-	25.5	27.0
1dB Bandwidth	Mhz	23.50	23.68	-
3dB Bandwidth	Mhz	24.50	24.70	-
40dB Bandwidth	Mhz	-	28.35	28.50
Passband Ripple	dB	-	0.35	0.80
Group Delay Variation	nsec	-	80	150
Absolute Delay	µsec	-	1.20	-
Ultimate Attenuation	dB	50	55	-
Substrate Material	-	128LiNbO ₃		

Package Dimension



Matching Configuration



L1=165nH, L2=142 nH, C=32pF
Source / Load Impedance = 50Ω
Ambient Temperature = 25°C

05/14/2002